



## VENTING



**System 636**  
FLUE GAS VENTING



[www.alggin.com](http://www.alggin.com)

**CALGARY**  
4540 46th Avenue SE  
(403) 252-0132  
[sales@alggin.com](mailto:sales@alggin.com)

**EDMONTON**  
12110 154 St. NW  
(780) 424-0132  
[edmsales@alggin.com](mailto:edmsales@alggin.com)

**LETHBRIDGE**  
1126 36 St. N  
(403) 320-8732  
[letsales@alggin.com](mailto:letsales@alggin.com)



Alggin is a distributor of A-vent & specialty chimney products including:

**Insulated stainless steel A-Vent chimney.**

Applications: Venting of gas and liquid fuel-fired residential appliances and building heating equipment, where the temperature does not exceed 540 degree C (1000 degree F).

**Category II, III, IV - AL29-4C factory built chimney.**

Applications: Venting of high efficiency, condensing type equipment.

**Double wall positive pressure chimney and breaching systems.**

Applications: Positive pressure system for venting boilers, kilns, grease duct & emergency generators.

**Refractory lined venting systems.**

Applications: Acid resistant and high temperature (3100 degree F max) applications such as venting of boilers, furnaces, kilns, incinerators and coal burning appliances, diesel/gas engines, emergency generators, scrubber and heat recovery systems, process equipment & smoke venting and fume incineration.

**System 636 PVC - flue gas venting.**

Applications: Type BH - Class IIA - Max temp rating of 65 degree C (149 F). Standard ULC S636.

Please contact your Alggin sales representative for further information and all pricing inquiries.

**DuraStack® Pro**

**FasNSeal®**



**System 636®**








**DuraVent**  
Member of  M&G Group

**Spunstrand®**

## **STAINLESS STEEL SINGLE WALL SPECIAL GAS VENTING**

UL tested and listed to UL1738/S636 Venting Systems for Gas-Burning Appliances, Category II, III, and IV. File MH 18505.

<u>STOCK #</u>	<u>DESCRIPTION</u>	<u>PRICE / EA</u>	
NVNTPIPE301	3" x 1 FT SINGLE WALL NOVA VENT PIPE	\$34.70	
NVNTPIPE303	3" x 3 FT SINGLE WALL NOVA VENT PIPE	\$87.36	
NVNTPIPE304	3" x 4 FT SINGLE WALL NOVA VENT PIPE	\$117.00	
NVNTPIPE401	4" x 1 FT SINGLE WALL NOVA VENT PIPE	\$41.60	
NVNTPIPE403	4" x 3 FT SINGLE WALL NOVA VENT PIPE	\$98.73	
NVNTTRIMRING3	3" NOVA VENT TRIM RING	\$42.54	
NVNTTRIMRING4	4" NOVA VENT TRIM RING	\$57.71	
NVNTL345	3" x 45 DEGREE NOVA VENT ELBOW	\$87.09	
NVNTL390	3" x 90 DEGREE NOVA VENT ELBOW	\$99.21	
NVNTL445	4" x 45 DEGREE NOVA VENT ELBOW	\$91.57	
NVNTL490	4" x 90 DEGREE NOVA VENT ELBOW	\$105.13	
NVNTWALLTHIM3	3" NOVA VENT WALL THIMBLE	\$80.50	
NVNTWALLTHIM4	4" NOVA VENT WALL THIMBLE	\$92.79	
NVNTWALLTERM3	3" NOVA VENT WALL TERMINATION BOX	\$76.82	
NVNTWALLTERM4	4" NOVA VENT WALL TERMINATION BOX	\$78.70	
NVNTHDADAP3	3" NOVA VENT HOT DAWG ADAPTOR	\$38.88	
NVNTUNIADAP4	4" NOVA VENT UNIVERSAL ADAPTOR	\$50.13	

**NOTES:**

- 1.) This product is available in sizes of 3" up to 24" in diameter.
- 2.) Also available in a Double Wall model, with a min. 2" clearance to combustibles unenclosed.
- 3.) Many other parts and accessories are available upon request.



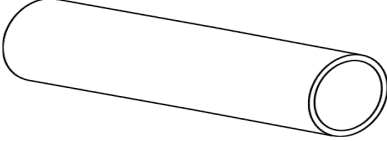
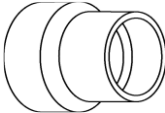

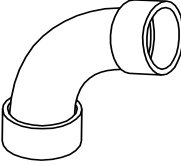
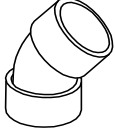
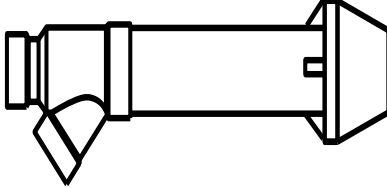
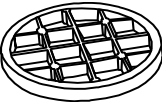







## **SYSTEM 636 PVC - FLUE GAS VENTING**

Type BH - Class II A - Maximum Temperature Rating of 65° C (149° F)  
Applicable Standards: ULC S636



# System 636®

	<u>STOCK #</u>	<u>DESCRIPTION</u>	<u>PRICE / EA</u>
	PVC210PIPEPE	2"x10' GAS VENT PIPE - PLAIN END	\$52.98
	PVC310PIPEPE	3"x10' GAS VENT PIPE - PLAIN END	\$123.64
		* All pipe sold in 10' ft. lengths only.	
	PVC2CPLING	2" COUPLING - HxH	\$4.39
	PVC3CPLING	3" COUPLING - HxH	\$9.85
	PVC323INCRED	2"-3" INCREASER/REDUCER - HxH	\$15.56
	PVC245ELBX	2"x45° ELBOW - HxH	\$6.38
	PVC345ELBX	3"x45° ELBOW - HxH	\$17.35
	PVC290ELBX	2"x90° LONG ELBOW - HxH	\$7.67
	PVC2STRELB90	2"x90° STREET ELBOW	\$6.48
	PVC390ELBX	3"x90° LONG ELBOW - HxH	\$20.18
	PVC3STRELB90	3"x90° STREET ELBOW	\$18.32
	PVC2SANITEE	2" SANITARY TEE	\$12.90
	PVC3SANITEE	3" SANITARY TEE	\$23.07
	PVC2CONVEN	2" CONCENTRIC VENT KIT	\$157.89
	PVC3CONVEN	3" CONCENTRIC VENT KIT	\$211.98
	PVC2TERMSCRX	2" TERMINATION VENT SCREEN	\$5.72
	PVC3TERMSCRX	3" TERMINATION VENT SCREEN	\$14.36
	PVCDEBURTOOL	1.5"-3" DEBURING TOOL	\$312.41
	PVC2FACERECT	2" RECTANGULAR FACE PLATE	\$43.41
	PVC2FACERND	2" ROUND FACE PLATE	\$24.93
	PVC3FACERECT	3" RECTANGULAR FACE PLATE	\$43.76
	PVC3FACERND	3" ROUND FACE PLATE	\$30.73
	PVCCEMENTPTX	PVC CEMENT - PINT	\$23.28
	PVCCEMENTQTX	PVC CEMENT - QUART	\$38.70
	PVCPRIMERPTX	PVC PRIMER - PINT	\$26.46
	PVCPRIMERQTX	PVC PRIMER - QUART	\$42.48

**NOTE: Additional components, pipe diameters, and temperature ratings are available on request.**

**IMPORTANT NOTICE: Do not mix pipe, fittings, or cement from different BH vent manufacturers. This can result in unsafe conditions and will void both the certification and product warranty.**

**SCHEDULE 40 PVC - 3/4" PIPE & FITTINGS - PRICING ON PAGE 7 RESIDENTIAL HEATING AND COOLING**

## AL29-4C - FasNSeal Single Wall

FasNSeal is for use with natural gas or propane Categories II, III and IV appliances or Canada's Type BH Gas Vent Systems.  
ETL Listed to UL 1738 and ULC S636



		<b>FasNSeal</b>								
<b>Pipe</b>		<b>6"</b>	<b>12"</b>	<b>18"</b>	<b>24"</b>	<b>36"</b>				
DVFSVL**4	4" Dia Vent Length	\$60.38	\$72.98	\$102.90	\$126.53	\$163.80				
DVFSVL**5	5" Dia Vent Length	\$79.28	\$84.53	\$126.00	\$148.05	\$194.25				
DVFSVL**6	6" Dia Vent Length	\$89.25	\$98.18	\$145.95	\$169.05	\$226.80				
DVFSVL**8	8" Dia Vent Length	\$116.55	\$141.75	\$214.20	\$235.20	\$337.05				
DVFSCL**10	10" Dia Vent Length	\$134.40	\$202.65	\$262.50	\$332.85	\$530.25				
<b>Elbows</b>		<b>15°</b>	<b>30°</b>	<b>45°</b>	<b>88°</b>	<b>90°</b>				
DVFSELB**4	4" ** Degree Elbow	\$145.95	\$145.95	\$142.24	\$184.80	\$166.96				
DVFSELB**5	5" ** Degree Elbow	----	\$168.00	\$163.69	\$219.45	\$197.51				
DVFSELB**6	6" ** Degree Elbow	----	----	\$200.63	----	\$254.17				
DVFSELB**8	8" ** Degree Elbow	----	----	\$271.73	----	\$346.51				
DVFSELB**10	10" ** Degree Elbow	----	----	\$289.83	----	\$386.57				
<b>Fittings</b>		<b>4"</b>	<b>5"</b>	<b>6"</b>	<b>7"</b>	<b>8"</b>	<b>9"</b>	<b>10"</b>	<b>11"</b>	
DVFSAAU**	Appliance Adapter	\$76.88	\$90.11	\$113.37	----	\$142.90	----	\$161.41	----	
DVFSASWDW**	SW to DW Adapter	\$225.73	\$224.26	\$238.80	----	\$256.22	----	\$288.32	----	
DVFSAF**	Tall Cone Flashing	\$262.57	\$318.53	\$411.24	----	\$508.28	----	\$584.02	----	
DVFSBS**	Bird Screen	----	----	\$119.97	----	\$165.31	----	\$204.54	----	
DVFSCL**	Storm Collar	\$58.05	\$58.07	\$58.41	\$68.01	\$68.01	\$88.42	\$102.55	\$108.48	
DVFSCL**	Support Clamp	\$46.05	\$48.00	\$49.79	\$55.86	\$64.28	\$62.97	\$75.81	\$96.04	
DVFSFS**	Firestop	\$65.62	\$65.60	\$70.02	\$76.96	\$85.48	\$94.33	\$103.07	\$116.41	
DVFSIPSDF**	IPS Drain Fitting	\$168.00	\$185.85	\$208.95	----	\$240.45	----	\$266.70	----	
DVFSRC**	Rain Cap		\$267.75	\$283.50	----	\$361.20	----	\$819.00	----	
DVFSWRC04	Severe Weather Cap	\$198.45	----	----	----	----	----	----	----	
DVFSBT**	Boot Tee	\$253.64	\$284.56	\$328.40	----	\$579.52	----	\$843.82	----	
DVFST**	Standard Tee	\$131.25	\$147.00	\$194.25	----	\$300.30	----	\$435.75	----	
DVFSTT**	Termination Tee	\$119.18	\$305.55	\$324.45	----	----	----	----	----	
DVFSTC**	Tee Cap	\$68.25	\$69.30	----	----	----	----	----	----	
DVFSWB**	Wall Bracket	\$232.05	\$273.00	\$274.05	----	\$346.50	----	\$393.75	----	
DVFSWPT**	Wall Pass Through	\$165.90	\$197.40	\$214.20	----	----	----	----	----	
DVFSVRJ**	Roof Jack	\$132.30	\$154.35	\$173.25	----	\$201.60	----	----	----	
DVFSRJ**	Tall Cone Roof Jack	\$131.78	\$154.35	\$173.25	----	\$185.85	----	\$208.95	----	
DVFSVPF**	Var.Pitch Roof Jack	\$143.85	\$156.45	\$206.85	----	\$278.25	----	----	----	
DVFSUCD**	Condensate Drain	\$191.10	\$211.05	\$232.05	----	\$325.50	----	\$372.75	----	

**Other sizes available on request**

For stock numbers, substitute the correct size in the stock number.

For example

4" 15° Elbow

DVFSELB154

4" Appliance Adaptor

DVFSAAU04

Prices are F.O.B. our warehouse and subject to change without notice. All taxes are extra.



## AL29-4C - FasNSeal - Double Wall

## FasNSeal W2

### Pipe

		6"	12"	18"	24"	36"
DVW2**06	6" Dia Double Wall Vent Length	\$172.20	\$217.35	\$325.50	\$416.85	\$508.20
DVW2**08	8" Dia Double Wall Vent Length	\$214.20	\$304.50	\$459.90	\$535.50	\$750.75
DVW2**10	10" Dia Double Wall Vent Length	\$238.35	\$388.50	\$572.25	\$687.75	\$939.75

### Adjustable

DVW2AVL6	6" Dia Double Wall Adj Vent	\$416.85
DVW2AVL8	8" Dia Double Wall Adj Vent	\$532.35
DVW2AVL10	10" Dia Double Wall Adj Vent	\$686.70

### Elbows

		45°	90°
DVW2**06	6" ** Degree Double Wall Elbow	\$320.25	\$433.65
DVW2**08	8" ** Degree Double Wall Elbow	\$463.05	\$546.00
DVW2**10	10" ** Degree Double Wall Elbow	\$682.50	\$808.50

### Fittings

		6"	8"	10"
DVW2AAU*	Appliance Adapter	\$183.75	\$236.25	\$305.55
DVW2IPSDF**	IPS Drain Fitting	\$333.90	\$378.00	\$418.95
DVW2RC*	Rain Cap	\$339.15	\$393.75	\$1,050.00
DVW2WBT*	Boot Tee	\$613.20	\$892.50	\$1,459.50



Other sizes available on request

For stock numbers, substitute the correct size in the stock number.  
For example

6" x 6" Double Wall Vent Length      DVW2606