



RESIDENTIAL | COMMERCIAL | INDUSTRIAL
HVAC SUPPLY

www.alggin.com

TRADE CATALOG

Serving the HVAC Industry
in Western Canada since 1979!

FASTER... LEANER... BETTER



Certifying Partner
AASP Alberta Association
for Safety Partnerships

CALGARY
4540 46th Avenue SE
(403) 252-0132

sales@alggin.com

EDMONTON
12110 154 St. NW
(780) 424-0132

edmsales@alggin.com

LETHBRIDGE
1126 36 St. N
(403) 320-8732

letsales@alggin.com



INTRODUCTION

MISSION STATEMENT

ALGGIN is committed to being the leader in metal fabrication and the distribution of HVAC products. We will encourage and support the well-being of our people. By anticipating our customer's needs and exceeding their expectations through excellence of service, product manufacture, and giving back to our community, we will sustain the long-term business partnerships that will assure our future.

PRODUCT OFFERING

Custom metal fabrication for commercial, residential, and industrial applications. Residential and commercial HVAC duct and fittings. Spiral pipe. Flexible pipe. B vent and specialty chimney products. Grilles, registers, and diffusers. Louvers and damper products. Residential and commercial heating and cooling equipment. Exhaust fans and HRV units. Tools, hardware, and accessories.

CAPACITIES

Shear	10' x 1/4" Mild Steel
Brake	10' x 1/4" Mild Steel 12' x 3/16" Mild Steel
Roll	6' x 1/8" Mild Steel 5' x 3/16" Mild Steel 4' x 1/4" Mild Steel
Plasma	3/4" plate Mild Steel
Spiral Pipe	3" – 72" diameter Galvanized, Aluminum, Satin Coat and Stainless Steel

www.alggin.com

CALGARY
4540 46th Avenue SE
(403) 252-0132

sales@alggin.com

EDMONTON
12110 154 St. NW
(780) 424-0132

edmsales@alggin.com

LETHBRIDGE
1126 36 St. N
(403) 320-8732

letsales@alggin.com



TERMS OF SALE

TERMS	<p>Payment on account by cheque, EFT or debit card is due by the end of the month following the invoice date.</p> <p>A 2% discount is available if paid by cheque, EFT or debit card by the 15th of the month following the invoice date.</p> <p>Payment on account by credit card must be processed by the 15th of the month following the invoice date. Overdue balances paid by credit card are subject to a 2% late payment charge.</p> <p>An interest charge of 2% per month (24% per annum) will accrue and be payable on all balances past due.</p>
PRICES	<p>Prices shown are list prices unless otherwise noted. The ALGGIN price list in effect at time of shipping will be used. Prices are subject to change without notice.</p>
QUOTATIONS	<p>All quotations are firm for 30 days. After 30 days, the price is subject to change.</p>
HOLDBACKS	<p>Holdbacks which apply to contracts are not part of terms of credit or quotation and will not be accepted.</p>
FREIGHT	<p>All merchandise F.O.B. ALGGIN. Unless routing is requested, all shipments will be made via routing designated by ALGGIN. All items are guaranteed to be in good condition when they leave our F.O.B. point. From this point the carrier takes full responsibility for the goods.</p>
RETURNED GOODS	<p>ALGGIN STOCKED Products: Returned goods accompanied by the ALGGIN invoice number are subject to a minimum 15% restocking charge. Returned goods without the ALGGIN invoice number are subject to a minimum 25% restocking charge.</p> <p>ALGGIN NON-STOCKED Products: Returned goods are subject to restocking charges as specified by each original equipment manufacturer.</p> <p>No goods are returnable without prior approval. Freight must be prepaid, and any goods installed or damaged will not be accepted for return. Custom manufactured products are NOT returnable.</p>
WARRANTY POLICY	<p>ALGGIN Manufactured Goods: All manufactured materials are inspected prior to shipment. If material is defective, ALGGIN will repair or replace the material at no charge to our customer.</p> <p>ALGGIN Purchased Goods: Please notify ALGGIN immediately of any warranty claim. Provide the part number, manufacturer, model number, serial number, date of purchase, the ALGGIN invoice number, and the nature of the deficiency. ALGGIN will replace defective parts at no charge.</p> <p>ALGGIN assumes no liability other than as set out herein, and no person is authorized to broaden this warranty on its behalf.</p>
TAXES	<p>Taxes are extra on all prices and quotations.</p>



WARRANTY FORM



Warranty Claim Form

Date _____	Customer Name _____	Customer Account # _____
Manufacturer _____	Model # _____	Serial # _____
Failed Part # _____	ALGGIN Part # _____	Date Code _____
New Part # _____	ALGGIN Part # _____	Original Invoice # _____
		Replacement Packing Slip # _____
		Replacement Invoice # _____

Reason for Failure:

Manufacturer's Warranty Claim # _____

Deposition of Failed Part

FIELD SCRAP

RETURN TO MFG
Shipping Ref # _____

KEEP FOR FOLLOWUP

Office Use Only

Received Vendor Credit or Part Replaced

Returned Part Location _____

No Warranty Allowed

Disposed
Or Returned

Submitted By: _____

Authorized By: _____

Branch: _____

*****Please ensure that the current packing slip is attached.**

www.alggin.com

CALGARY
4540 46th Avenue SE
(403) 252-0132
sales@alggin.com

EDMONTON
12110 154 St. NW
(780) 424-0132
edmsales@alggin.com

LETHBRIDGE
1126 36 St. N
(403) 320-8732
letsales@alggin.com

Algin Detail Sheet for Special Fittings

SHEET _____ OF _____

--	--


Qty		Remarks:	Qty		Remarks:
Gauge			Gauge		
Ins.			Ins.		

--	--

Qty		Remarks:	Qty		Remarks:
Gauge			Gauge		
Ins.			Ins.		

--	--

Qty		Remarks:	Qty		Remarks:
Gauge			Gauge		
Ins.			Ins.		

Customer Name Ordered By Job Name P.O. Number Date Ordered Date Required W.O. Number E-mail address		 <p style="text-align: right; margin-top: 20px;"> Calgary (403)252-0132 Edmonton (780)424-0132 Lethbridge (403)320-8732 www.algin.com </p>
--	--	--

Algin Detail Sheet for Special Fittings

SHEET _____ OF _____

--	--


Qty		Remarks:	Qty		Remarks:
Gauge			Gauge		
Ins.			Ins.		

--	--

Qty		Remarks:	Qty		Remarks:
Gauge			Gauge		
Ins.			Ins.		

--	--

Qty		Remarks:	Qty		Remarks:
Gauge			Gauge		
Ins.			Ins.		

Customer Name Ordered By Job Name P.O. Number Date Ordered Date Required W.O. Number E-mail address		 <p style="text-align: right; margin-top: 20px;"> Calgary (403)252-0132 Edmonton (780)424-0132 Lethbridge (403)320-8732 www.algin.com </p>
--	--	--



RESIDENTIAL



www.alggin.com

CALGARY
4540 46th Avenue SE
(403) 252-0132
sales@alggin.com

EDMONTON
12110 154 St. NW
(780) 424-0132
edmsales@alggin.com

LETHBRIDGE
1126 36 St. N
(403) 320-8732
letsales@alggin.com



RESIDENTIAL INDEX

ITEM	PAGE
Angle	6
Boots – All Types	8
Brochure Holders	1
Cleats – Drive Cleat & Slip Cleat – Light Gauge	6
Combustion Air Diffusers	5
Dampers – Galvanized	5
Drain Pans	5
Dryer Vent Hoods	12
Duct	2
Duct Reducers	3
Elbows – Round – Galvanized – 90 Degree	9
Elbows – Duct – 45 & 90 Degree – Short-Way & Long-Way	4
End Caps	3
Filter Frames	1
Fresh Air Intake Hoods	5
Gooseneck & Adaptors (Plastic)	12
Hanger Straps – Light Gauge	6
Inline Dampers	6
Increasesers – Stubby	11
Increasesers – Vent Pipe	11
Joist Liners – Galvanized	4
Kitchen Kick Board Boxes	6
Oval Boots	8
Oval Pipe – 60” Lengths	9
Pipe – Galvanized – 60” & 36” Lengths	9
Pipe Supports	6
Plenums	1
Plenum Strips/Panel	1
Plenum Take Offs	2
Rain Caps	12
Range Hood Transitions	8
Reducers – Stubby	11
Reducers – Vent Pipe	11
Return Air Frames	1
Roof Jacks	12
Saddle Wyes	10
Saddle Take Offs	7
Take Offs – Top, Side and Universal	7
Tap In Collars – Duct	1
Tap In Collars – Round	7
Tee’s	10
Wall Caps & Wall Bow (Plastic)	12
Wye Branches	10

PLENUMS

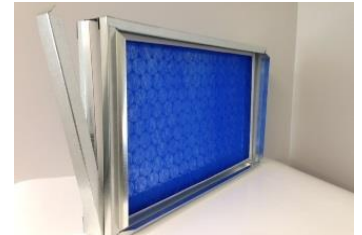
<u>STOCK #</u>	<u>SIZE</u>	<u>PRICE</u>
PLEN162059	16 1/2 x 20 1/4 - 59" HIGH w/end cap	\$155.82
PLEN202059	20 x 20 1/4 - 59" HIGH w/end cap	\$170.41
PLEN232059	23 1/2 x 20 1/4 - 59" HIGH w/end cap	\$183.93
PLEN132071	13 1/2 X 20 1/4 - 71" HIGH w/end cap	\$142.00
PLEN162071	16 1/2 X 20 1/4 - 71" HIGH w/end cap	\$140.00
PLEN202071	20 X 20 1/4 - 71" HIGH w/end cap	\$144.00



FILTER FRAMES

6 1/2" Filter Frames for 1" or 4" Filters

<u>STOCK #</u>	<u>SIZE</u>	<u>PRICE</u>
FILFR20166	20 x 16 - 6 1/2" LONG	\$53.15
FILFR25166	25 x 16 - 6 1/2" LONG	\$55.72
FILFR25206	25 x 20 - 6 1/2" LONG	\$61.56



3" Filter Frames for 1" Filters

<u>STOCK #</u>	<u>SIZE</u>	<u>PRICE</u>
FILFR25163	25 x 16 - 3" LONG	\$37.57
FILFR25203	25 x 20 - 3" LONG	\$44.95

1" Filter Frames for 1" Filters

<u>STOCK #</u>	<u>SIZE</u>	<u>PRICE</u>
FILFR25161	25 x 16 - 1" LONG	\$21.95

PLENUM STRIPS/PANEL

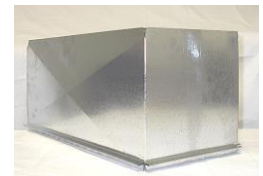
complete with 1/2" double flange

<u>STOCK #</u>	<u>SIZE</u>	<u>PRICE</u>
PLENSTRP23	STRIP - 23" WIDE x 96" LONG	\$64.43
PLENPANL35	PANEL - 24" WIDE x 35" LONG	\$25.67



TAP-IN COLLARS - DUCT

<u>STOCK #</u>	<u>SIZE</u>	<u>PRICE</u>
DUCTIC241010	9 3/4" LONG - 24" X 10"	\$43.28
DUCTIC250910	9 3/4" LONG - 25" X 9 1/2"	\$42.83



RETURN AIR FRAME

<u>STOCK #</u>	<u>SIZE</u>	<u>PRICE</u>
PLENSTRP2X	1/2" x 1/2" x 2", 96" LONG	\$9.02



BROCHURE HOLDER

<u>STOCK #</u>	<u>SIZE</u>	<u>PRICE</u>
BROCHUREHLDR	9" WIDE	\$7.75



PLENUM TAKE OFFS

STOCK #	5" RISE		STOCK #	5" RISE	
	SIZE	PRICE		SIZE	PRICE
PTO50808XX	8 x 8	\$31.95	PTO51010XX	10 X 10	\$33.85
PTO51008XX	10 x 8	\$32.68	PTO51210XX	12 X 10	\$36.07
PTO51208XX	12 x 8	\$32.89	PTO51410XX	14 X 10	\$37.64
PTO51408XX	14 x 8	\$33.75	PTO51610XX	16 X 10	\$38.95
PTO51608XX	16 x 8	\$35.20	PTO51810XX	18 X 10	\$40.46
PTO51808XX	18 x 8	\$37.61	PTO52010XX	20 X 10	\$42.36
PTO52008XX	20 x 8	\$38.74			



Other sizes are available upon request.

DUCT - BUTTON LOCK LESS CLEATS

STOCK #	SIZE	GAUGE	LENGTH	PRICE PER FOOT	WEIGHT PER 100'
DUC0808530	8 X 8	30	5'	\$7.74	195
DUC1008530	10 X 8	30	5'	\$8.64	220
DUC1208530	12 X 8	30	5'	\$9.18	238
DUC1408530	14 X 8	30	5'	\$10.32	260
DUC1608528	16 X 8	28	5'	\$11.79	335
DUC1808528	18 X 8	28	5'	\$13.20	361
DUC2008528	20 X 8	28	5'	\$14.38	387
DUC2208528	22 X 8	28	5'	\$15.33	415
DUC2408528	24 X 8	28	5'	\$16.03	440
DUC1010530	10 X 10	30	5'	\$10.14	238
DUC1210530	12 X 10	30	5'	\$10.80	260
DUC1410530	14 X 10	30	5'	\$11.46	335
DUC1610528	16 X 10	28	5'	\$13.62	361
DUC1810528	18 X 10	28	5'	\$14.73	387
DUC2010528	20 X 10	28	5'	\$15.91	415
DUC2210528	22 X 10	28	5'	\$16.58	440
DUC2410528	24 X 10	28	5'	\$17.64	465
DUC2509426	25 X 9 1/2	26	4'	\$20.87	544
DUC0310530	3 1/8 x 10	30	5'	\$7.00	164
DUC0310830	3 1/8 x 10	30	8'	\$7.30	164
DUC0310930	3 1/8 x 10	30	9'	\$7.35	164



END CAPS

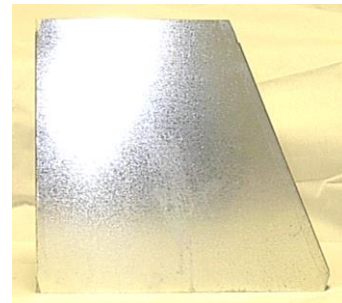
<u>STOCK #</u>	<u>SIZE</u>	<u>PRICE</u>	<u>STOCK #</u>	<u>SIZE</u>	<u>PRICE</u>
ENDCAP0808	8 X 8	\$5.24	ENDCAP1010	10 X 10	\$6.88
ENDCAP1008	10 X 8	\$5.42	ENDCAP1210	12 X 10	\$7.27
ENDCAP1208	12 X 8	\$5.70	ENDCAP1410	14 X 10	\$8.01
ENDCAP1408	14 X 8	\$6.45	ENDCAP1610	16 X 10	\$9.12
ENDCAP1608	16 X 8	\$7.03	ENDCAP1810	18 X 10	\$10.41
ENDCAP1808	18 X 8	\$8.09	ENDCAP2010	20 X 10	\$11.14
ENDCAP2008	20 X 8	\$8.63	ENDCAP2210	22 X 10	\$12.36
ENDCAP2208	22 X 8	\$9.58	ENDCAP2410	24 X 10	\$13.14
ENDCAP2408	24 X 8	\$10.45			
			ENDCAP0310	3 X 10	\$3.30
			ENDCAP0410	*See Page 9 Commercial section	
			ENDCAP2509	25 X 9 1/2	\$13.73



DUCT REDUCERS

Note: All reducers are 12" long - straight one side.

<u>STOCK #</u>	<u>SIZE</u>	<u>PRICE</u>
RED1008088	10 x 8 - 8 x 8	\$24.23
RED1208088	12 x 8 - 8 x 8	\$24.29
RED1208108	12 x 8 - 10 x 8	\$24.01
RED1408108	14 x 8 - 10 x 8	\$26.00
RED1408128	14 x 8 - 12 x 8	\$25.88
RED1608108	16 x 8 - 10 x 8	\$27.94
RED1608128	16 x 8 - 12 x 8	\$27.05
RED1608148	16 x 8 - 14 x 8	\$27.43
RED1808128	18 x 8 - 12 x 8	\$30.66
RED1808148	18 x 8 - 14 x 8	\$31.29
RED1808168	18 x 8 - 16 x 8	\$30.64



Other sizes are available upon request.

DUCT REDUCING PANELS

<u>STOCK #</u>	<u>SIZE</u>	<u>PRICE</u>
REDPANEL08	REDUCING PANEL FOR 8" DUCT	\$17.83
REDPANEL10	REDUCING PANEL FOR 10" DUCT	\$18.67



ELBOWS - LONG WAY

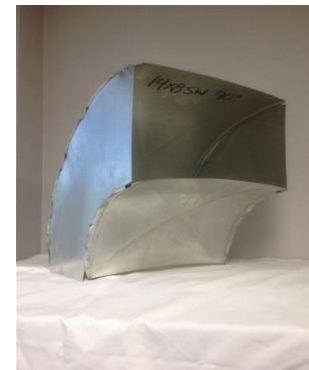
SIZE	LONG WAY ELBOWS - 90°		LONG WAY ELBOWS - 45°	
	STOCK #	PRICE	STOCK #	PRICE
8 x 8	LWEL080890	\$30.35		
10 x 8	LWEL100890	\$36.59	LWEL100845	\$25.81
12 x 8	LWEL120890	\$40.44	LWEL120845	\$29.84
14 x 8	LWEL140890	\$49.31	LWEL140845	\$37.94
16 x 8	LWEL160890	\$54.64	LWEL160845	\$37.70
18 x 8	LWEL180890	\$67.13	LWEL180845	\$42.38
10 x 10	LWEL101090	\$40.75		
12 x 10	LWEL121090	\$43.06		
14 x 10	LWEL141090	\$52.34		
16 x 10	LWEL161090	\$59.58		



Other sizes are available upon request.

ELBOWS - SHORT WAY

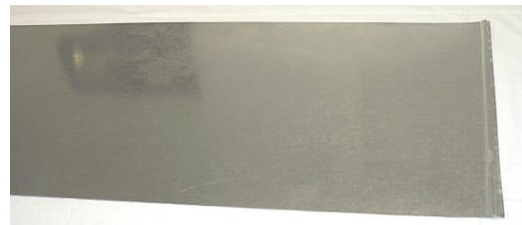
SIZE	SHORT WAY ELBOWS - 90°		SHORT WAY ELBOWS - 45°	
	STOCK #	PRICE	STOCK #	PRICE
3 1/4 x 10	SWEL031090	\$19.10		
10 x 8	SWEL100890	\$34.86	SWEL100845	\$23.97
12 x 8	SWEL120890	\$38.34	SWEL120845	\$24.49
14 x 8	SWEL140890	\$40.21	SWEL140845	\$26.77
16 x 8	SWEL160890	\$51.22	SWEL160845	\$36.33



Other sizes are available upon request.

JOIST LINERS - GALVANIZED

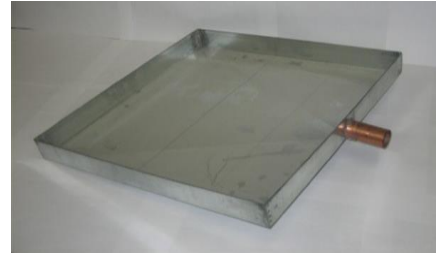
STOCK #	SIZE	PRICE
JOISLI1634	16" x 34"	\$8.04
JOISLI1934	19 1/2" x 34"	\$9.42
JOISLI2434	24" x 34"	\$11.56



**** For alternative joist liner see Thermopan and Coroplast on Miscellaneous Page 10 ****

DRAIN PANS C/W DRAIN

<u>STOCK #</u>	<u>DESCRIPTION</u>	<u>PRICE</u>
DRPAN24242	24 x 24 - 2" DEEP PAN	\$78.83



FRESH AIR INTAKE HOODS

<u>STOCK #</u>	<u>SIZE</u>	<u>PRICE</u>
FAINHOOD04	4"	\$22.44
FAINHOOD05	5"	\$23.22
FAINHOOD06	6"	\$28.62
FAINHOOD07	7"	\$35.70
FAINHOOD08	8"	\$46.80
FAINHOOD10	10"	\$77.28
FAINHOOD12	12"	\$114.60



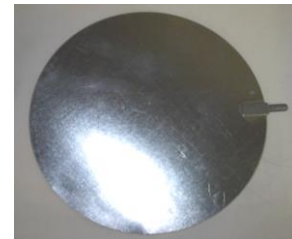
COMBUSTION AIR DIFFUSERS

<u>STOCK #</u>	<u>SIZE</u>	<u>PRICE</u>
CADIFFUS04	4"	\$43.08
CADIFFUS05	5"	\$46.26
CADIFFUS06	6"	\$51.03
CADIFFUS07	7"	\$66.96
CADIFFUS08	8"	\$76.53
CADIFFUS10	10"	\$100.09
CADIFFUS12	12"	\$175.05



DAMPERS - GALVANIZED

<u>STOCK #</u>	<u>DESCRIPTION</u>	<u>PRICE</u>
DAMPRESX04	4"	\$2.80
DAMPRESX05	5"	\$3.04
DAMPRESX06	6"	\$3.55





PIPE SUPPORTS

<u>STOCK #</u>	<u>SIZE</u>	<u>PRICE</u>
PIPESUPP16	16"	\$1.28
PIPESUPP21	21"	\$2.02
PIPESUPP24	24"	\$2.26



KITCHEN KICK BOARD BOXES

<u>STOCK #</u>	<u>SIZE</u>	<u>PRICE</u>
KBBOX21215	15" LONG - 2 1/4 x 12	\$22.00
KBBOX31015	15" LONG - 3 x 10	\$22.00



CLEATS - LIGHT GAUGE

<u>STOCK #</u>	<u>SIZE</u>	<u>PRICE</u>
SCLEAT60LG	60"	\$5.32
SCLEAT96LG	96"	\$9.27
DCLEAT60LG	60"	\$3.24
DCLEAT96LG	96"	\$5.97



HANGER STRAP - LIGHT GAUGE

<u>STOCK #</u>	<u>SIZE</u>	<u>PRICE</u>
HGRSTRLTGA	1" X 96"	\$3.15



INLINE DAMPERS

<u>STOCK #</u>	<u>SIZE</u>	<u>PRICE</u>
INLIDAMP04	4"	\$20.55
INLIDAMP05	5"	\$24.66
INLIDAMP06	6"	\$27.41
INLIDAMP08	8"	\$34.25



Other sizes available upon request.

ANGLE - 28 GAUGE

<u>STOCK #</u>	<u>SIZE</u>	<u>PRICE</u>
ANGLEX12028	1-1/2" x 1-1/2" - 120"	\$12.68

SIDE TAKE OFFS and TOP TAKE OFFS

<u>SIZE</u>	<u>SIDE TAKE OFFS</u>		<u>TOP TAKE OFFS</u>	
	<u>STOCK #</u>	<u>PRICE</u>	<u>STOCK #</u>	<u>PRICE</u>
4"	SIDETOFF04	\$6.28	TOPTOFFX04	\$7.38
5"	SIDETOFF05	\$6.61	TOPTOFFX05	\$7.38
6"	SIDETOFF06	\$8.89	TOPTOFFX06	\$8.58
7"	SIDETOFF07	\$11.94	TOPTOFFX07	\$16.86
8"	SIDETOFF08	\$16.24	TOPTOFFX08	\$24.18
9"	SIDETOFF09	\$22.36	TOPTOFFX09	\$29.28



UNIVERSAL TAKE OFFS

<u>STOCK #</u>	<u>DESCRIPTION</u>	<u>SIZE</u>	<u>PRICE</u>
UNIVERTO04	UNIVERSAL TAKE OFFS	4"	\$5.22
UNIVERTO05	UNIVERSAL TAKE OFFS	5"	\$5.37
UNIVERTO06	UNIVERSAL TAKE OFFS	6"	\$6.12



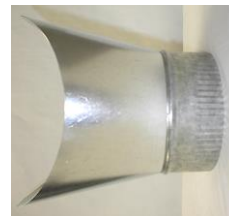
TAP-IN COLLARS - ROUND 28 GAUGE

<u>STOCK #</u>	<u>SIZE</u>	<u>PRICE</u>
TIC0428	4"	\$5.65
TIC0528	5"	\$5.87
TIC0628	6"	\$6.10
TIC0728	7"	\$6.30
TIC0828	8"	\$9.06
TIC1026	10"	\$10.62
TIC1226	12"	\$11.82



SADDLE TAKE OFFS

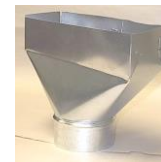
<u>STOCK #</u>	<u>SIZE</u>	<u>PRICE</u>
SADLTOFF04	4"	\$4.75
SADLTOFF05	5"	\$5.04
SADLTOFF06	6"	\$7.05





RIGHT ANGLE BOOTS , UNIVERSAL BOOTS AND END BOOTS

<u>BOOT SIZE</u>	<u>RIGHT ANGLE</u>		<u>UNIVERSAL</u>	<u>END</u>	<u>PRICE</u>
		<u>STOCK #</u>	<u>STOCK #</u>	<u>STOCK #</u>	
4"	3 x 10	RAB04310XX	UB04310XXX	EB04310XXX	\$7.36
	4 x 10	RAB04410XX	UB04410XXX	EB04410XXX	\$8.28
5"	2 1/4 x 12	RAB05212XX	UB05212XXX	EB05212XXX	\$16.22
	3 x 10	RAB05310XX	UB05310XXX	EB05310XXX	\$7.04
	4 x 10	RAB05410XX	UB05410XXX	EB05410XXX	\$8.00
6"	3 x 10	RAB06310XX	UB06310XXX	EB06310XXX	\$8.13
	4 x 10	RAB06410XX	UB06410XXX	EB06410XXX	\$8.88
	4 x 12	RAB06412XX	UB06412XXX	EB06412XXX	\$18.91
7"	3 x 10		UB07310XXX		\$41.06
	4 x 10	RAB07410XX	UB07410XXX	EB07410XXX	\$43.47
	4 x 12		UB07412XXX		\$44.02
8"	3 x 10		UB08310XXX		\$54.86
	4 x 10	RAB08410XX	UB08410XXX		\$54.86
	4 x 12	RAB08412XX	UB08412XXX	EB08412XXX	\$54.86
	4 x 14	RAB08414XX	UB08414XXX		\$54.86



OVAL RIGHT ANGLE BOOTS, UNIVERSAL BOOTS AND END BOOTS

<u>BOOT SIZE</u>	<u>RIGHT ANGLE</u>		<u>UNIVERSAL</u>		<u>END</u>	
		<u>STOCK #</u>	<u>PRICE</u>	<u>STOCK #</u>	<u>PRICE</u>	<u>STOCK #</u>
5" 3 x 6 (5")	RABO0536	\$10.64	UBO0536	\$10.85	EBO0536	\$10.82
5" 3 x 8 (6")	RABO0538	\$11.02	UBO0538	\$10.82	EBO0538	\$10.82
6" 3 x 8 (6")	RABO0638	\$11.35	UBO0638	\$12.11	EBO0638	\$12.11

BASEMENT BOOTS

<u>BOOT SIZE</u>	<u>STOCK #</u>	<u>PRICE</u>
5" 3 x 10	RABB05310X	\$14.89



RANGE HOOD TRANSITIONS

<u>BOOT SIZE</u>	<u>STOCK #</u>	<u>PRICE</u>
5" 3 1/4 x 10	RHTR531410	\$8.70
6" 3 1/4 x 10	RHTR631410	\$8.88



PIPE GALVANIZED - 60" & 36" LENGTHS

<u>SIZE</u>	<u>LIGHT GAUGE RESIDENTIAL</u>		<u>30 GAUGE</u>		<u>28 GAUGE</u>	
	<u>STOCK #</u>	<u>PRICE/FT.</u>	<u>STOCK #</u>	<u>PRICE/FT.</u>	<u>STOCK #</u>	<u>PRICE/FT.</u>
3 x 60			PIPE036030	\$3.19		
4 x 60	PIPE0460LG	\$1.73	PIPE046030	\$2.58	PIPE046028	\$4.29
5 x 60	PIPE0560LG	\$1.98	PIPE056030	\$3.14	PIPE056028	\$5.45
6 x 60	PIPE0660LG	\$2.40	PIPE066030	\$3.52	PIPE066028	\$6.07
7 x 60			PIPE076030	\$4.28	PIPE076028	\$7.19
8 x 60			PIPE086030	\$4.78	PIPE086028	\$8.30
9 x 60			PIPE096030	\$8.22		
10 x 60					PIPE106028	\$10.03
12 x 60					PIPE126028	\$11.96
3 x 36					PIPE033628	\$4.31
4 x 36					PIPE043628	\$5.21



OVAL PIPE GALVANIZED - 60" LENGTHS

<u>SIZE</u>	<u>STOCK #</u>	<u>PRICE/FT.</u>
3 x 6 (5")	PIPE366030	\$3.90
3 x 8 (6")	PIPE386030	\$4.43

ELBOWS - ROUND - GALVANIZED - 90°

<u>SIZE</u>	<u>RESIDENTIAL GAUGE</u>		<u>28 GAUGE</u>	
	<u>STOCK #</u>	<u>PRICE</u>	<u>STOCK #</u>	<u>PRICE</u>
3 x 90			ELB900328X	\$8.93
4 x 90	ELB9004RES	\$3.13	ELB900428X	\$5.74
5 x 90	ELB9005RES	\$3.55	ELB900528X	\$6.37
6 x 90	ELB9006RES	\$4.50	ELB900628X	\$8.15
7 x 90	ELB9007RES	\$8.81	ELB900728X	\$11.85
8 x 90	ELB9008RES	\$9.14	ELB900828X	\$15.15
9 x 90	ELB9009RES	\$14.66		
10 x 90			ELB901028X	\$19.94





TEES

<u>SIZE</u>	<u>GAUGE</u>	<u>STOCK #</u>	<u>PRICE</u>
4 x 4 x 4	28	T04040428X	\$19.76
5 x 5 x 4	26	T05050426X	\$22.52
5 x 5 x 5	26	T05050526X	\$22.67
6 x 6 x 4	26	T06060426X	\$29.45
6 x 6 x 5	26	T06060526X	\$29.49
6 x 6 x 6	26	T06060626X	\$29.42
7 x 7 x 7	26	T07070726X	\$35.81
8 x 8 x 5	26	T08080526X	\$40.46
8 x 8 x 6	26	T08080626X	\$40.53
8 x 8 x 8	26	T08080826X	\$41.63
10 x 10 x 6	24	T10100624X	\$52.96
10 x 10 x 8	24	T10100824X	\$53.33
10 x 10 x 10	24	T10101024X	\$54.53
12 x 12 x 12	24	T12121224X	\$72.84

WYE BRANCHES

<u>STOCK #</u>	<u>PRICE</u>
Y04040428X	\$22.08
Y05050426X	\$26.07
Y05050526X	\$26.43
Y06060426X	\$28.94
Y06060626X	\$29.24
Y07070726X	\$40.17
Y08080826X	\$47.69

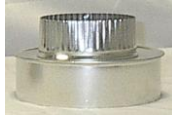


SADDLE WYES

<u>STOCK #</u>	<u>DESCRIPTION</u>	<u>PRICE</u>
SADY040645	4" Y 45° TO FIT 6" PIPE	\$27.88
SADY060645	6" Y 45° TO FIT 6" PIPE	\$33.00



REDUCERS/INCREASERS



STUBBY REDUCERS

<u>STOCK #</u>	<u>DESCRIPTION</u>	<u>PRICE</u>
REDSTB0403	4 - 3 28 GA. GALV.	\$16.80
REDSTB0503	5 - 3 26 GA. GALV.	\$16.80
REDSTB0504	5 - 4 26 GA. GALV.	\$16.80
REDSTB0603	6 - 3 26 GA. GALV.	\$19.07
REDSTB0604	6 - 4 26 GA. GALV.	\$19.07
REDSTB0605	6 - 5 26 GA. GALV.	\$19.44
REDSTB0704	7 - 4 26 GA. GALV.	\$21.20
REDSTB0705	7 - 5 26 GA. GALV.	\$21.20
REDSTB0706	7 - 6 26 GA. GALV.	\$22.08
REDSTB0804	8 - 4 26 GA. GALV.	\$24.73
REDSTB0805	8 - 5 26 GA. GALV.	\$25.63
REDSTB0806	8 - 6 26 GA. GALV.	\$25.79
REDSTB0807	8 - 7 26 GA. GALV.	\$26.49
REDSTB1008	10 - 8 24 GA. GALV.	\$31.56
REDSTB1009	10 - 9 24 GA. GALV.	\$43.70
REDSTB1210	12 - 10 24 GA. GALV.	\$43.33



VENT PIPE REDUCERS

<u>STOCK #</u>	<u>DESCRIPTION</u>	<u>PRICE</u>
REDVEN0403	4 - 3 28 GA GALV.	\$17.69
REDVEN0503	5 - 3 26 GA. GALV.	\$18.94
REDVEN0504	5 - 4 26 GA. GALV.	\$19.61
REDVEN0604	6 - 4 26 GA GALV.	\$19.46
REDVEN0605	6 - 5 26 GA. GALV.	\$21.94
REDVEN0706	7 - 6 26 GA. GALV.	\$22.67
REDVEN0806	8 - 6 26 GA GALV.	\$25.40
REDVEN0807	8 - 7 26 GA. GALV.	\$30.76



STUBBY INCREASERS

<u>STOCK #</u>	<u>DESCRIPTION</u>	<u>PRICE</u>
INCSTB0304	3 - 4 28 GA. GALV.	\$16.80
INCSTB0305	3 - 5 26 GA. GALV.	\$16.80
INCSTB0405	4 - 5 26 GA. GALV.	\$16.80
INCSTB0306	3 - 6 26 GA. GALV.	\$19.07
INCSTB0406	4 - 6 26 GA. GALV.	\$19.07
INCSTB0506	5 - 6 26 GA. GALV.	\$19.44
INCSTB0407	4 - 7 26 GA. GALV.	\$21.20
INCSTB0507	5 - 7 26 GA. GALV.	\$21.20
INCSTB0607	6 - 7 26 GA. GALV.	\$22.08
INCSTB0408	4 - 8 26 GA. GALV.	\$24.73
INCSTB0508	5 - 8 26 GA. GALV.	\$25.63
INCSTB0608	6 - 8 26 GA. GALV.	\$25.79
INCSTB0708	7 - 8 26 GA. GALV.	\$26.49
INCSTB0810	8 - 10 24 GA. GALV.	\$31.95
INCSTB0910	9 - 10 24 GA. GALV.	\$43.75
INCSTB1012	10 - 12 24 GA. GALV.	\$43.71



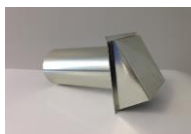
VENT PIPE INCREASERS

<u>STOCK #</u>	<u>DESCRIPTION</u>	<u>PRICE</u>
INCVEN0304	3 - 4 28 GA GALV.	\$17.99
INCVEN0305	3 - 5 26 GA. GALV.	\$20.40
INCVEN0405	4 - 5 26 GA. GALV.	\$19.36
INCVEN0406	4 - 6 26 GA. GALV.	\$19.85
INCVEN0506	5 - 6 26 GA. GALV.	\$21.88
INCVEN0607	6 - 7 26 GA. GALV.	\$22.68
INCVEN0608	6 - 8 26 GA. GALV.	\$26.61
INCVEN0708	7 - 8 26 GA. GALV.	\$29.59



DRYER VENT HOODS

<u>GALVANIZED</u>			<u>PLASTIC</u>	
<u>SIZE</u>	<u>STOCK #</u>	<u>PRICE</u>	<u>STOCK #</u>	<u>PRICE</u>
3"	DVHGALVX03	\$18.41		
4"	DVHGALVX04	\$18.41	DVHPLAST04	\$11.06
5"	DVHGALVX05	\$21.39		
6"	DVHGALVX06	\$24.20		
7"	DVHGALVX07	\$38.09		
8"	DVHGALVX08	\$46.30		
10"	DVHGALVX10	\$73.53		
12"	DVHGALVX12	\$111.19		



<u>PLASTIC FLUSH</u>	
<u>STOCK #</u>	<u>PRICE</u>
DVHPLAFL04	\$7.52
DVHPLAFL05	\$13.01
DVHPLAFL06	\$14.41

WALL CAPS

<u>WALL CAP - SCREEN</u>		<u>- NO SCREEN</u>	
<u>STOCK #</u>	<u>PRICE</u>	<u>STOCK #</u>	<u>PRICE</u>
WHITE			
WALLCAP04WS	\$21.45	WALLCAP04W	\$21.45
WALLCAP05WS	\$27.98	WALLCAP05W	\$27.98
WALLCAP06WS	\$30.51	WALLCAP06W	\$30.51
WALLCAP08WS	\$65.27		
BLACK			
WALLCAP04BS	\$21.45		
WALLCAP05BS	\$27.98		
WALLCAP06BS	\$30.51		
WALLCAP08BS	\$65.27		



**** For Dryer Boxes see Miscellaneous Page 6 ****

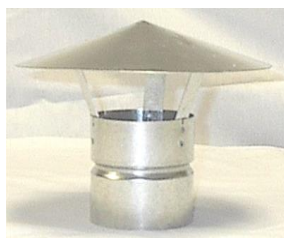
ROOF JACKS & ADAPTORS

<u>STOCK #</u>	<u>DESCRIPTION</u>	<u>PRICE</u>
APRJ06XXXX	SMALL ALL PITCH - 6" ROUND	\$23.20
APRJ06DXXX	SMALL ALL PITCH WITH DAMPER - 6" ROUND	\$27.24
APRJ08XXXX	LARGE ALL PITCH - 8" ROUND	\$38.70
SHINGLEGRD04	4" SHINGLE GUARD ADAPTOR FOR APRJ	\$16.02
GNPLRV2825	ROOF JACK - PLASTIC	\$32.76
GNPLRV284X	4" ADAPTOR FOR RV 28	\$13.21
GNPLRV286X	6" ADAPTOR FOR RV 28	\$13.21
MASTRFLSH4	#4 MASTER FLASH 2 3/4" to 7"	\$63.11
MASTRFLSH7	#7 MASTER FLASH 6" to 11"	\$123.94



RAIN CAPS

<u>SIZE</u>	<u>STOCK #</u>	<u>PRICE</u>
3"	RAINCAP03	\$22.80
4"	RAINCAP04	\$28.20
5"	RAINCAP05	\$31.92
6"	RAINCAP06	\$38.83
7"	RAINCAP07	\$43.98
8"	RAINCAP08	\$46.98
10"	RAINCAP10	\$68.76
12"	RAINCAP12	\$94.20



WALL BOW

<u>STOCK #</u>	<u>DESCRIPTION</u>	<u>PRICE</u>
WBPLA04XXX	4" PLASTIC WALL BOW	\$7.70





COMMERCIAL



www.alggin.com

CALGARY
4540 46th Avenue SE
(403) 252-0132
sales@alggin.com

EDMONTON
12110 154 St. NW
(780) 424-0132
edmsales@alggin.com

LETHBRIDGE
1126 36 St. N
(403) 320-8732
letsales@alggin.com



COMMERCIAL INDEX

ITEM	PAGE
Access Panels for Pipe	6
Caps – Galvanized	1
Cleats	6
Cushion (Bumper) Tees	9
Dampers – AlggIn	9
Dampers – Commercial	9
Damper Sleeves – Heavy Duty	9
Diffuser Boxes	9
Elbows – Beta 1 Full Throat Radius	3
Elbows – Full Throat Radius	3
Elbows – Full Throat Spiral	3
Elbows – Standard	2
End Caps	9
False CP & False TDC	6
Fire Damper Angles & Sleeves	5
Flanges & Flat Rings	14
Flanges – Econoflange	11
Gum Cups	5
Hanger Straps	5
Patches	8
Pipe – Galvanized	1
Plugs – Galvanized	1
Reducers – Spiral Pipe	7
Saddle Take Offs	4
Side Take Offs	4
Slab Duct Products	12, 13
Spin In Collars	8
Spiral Pipe Connectors – Galvanized	11
Storm Collars	10
TDC Clips	6
Tall Cone Flashing	10
Top Take Offs	4
U Channel	6
Versa Cleats	6
Wall Thimbles	8

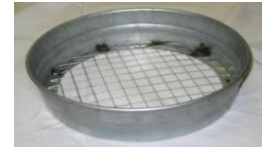
PIPE GALVANIZED

26 GAUGE - 48"			24 GAUGE - 36"		
STOCK #	SIZE	PRICE/FT	STOCK #	SIZE	PRICE/FT
PIPE044826	4 x 48	\$6.36	PIPE053624	5 x 36	\$10.16
PIPE054826	5 x 48	\$7.20	PIPE063624	6 x 36	\$10.92
PIPE064826	6 x 48	\$7.88	PIPE073624	7 x 36	\$12.51
PIPE074826	7 x 48	\$9.09	PIPE083624	8 x 36	\$15.30
PIPE084826	8 x 48	\$10.31	PIPE093624	9 x 36	\$16.93
PIPE094826	9 x 48	\$11.82	PIPE103624	10 x 36	\$18.51
PIPE104826	10 x 48	\$12.63	PIPE123624	12 x 36	\$20.46
PIPE124826	12 x 48	\$16.00	PIPE143624	14 x 36	\$24.05
PIPE144826	14 x 48	\$18.27	PIPE163624	16 x 36	\$33.98
			PIPE183624	18 x 36	\$36.90



Note: All pipe is snap lock except for PIPE163624 and PIPE183624 which is acme lock.

PLUGS and CAPS GALVANIZED



SIZE	PLUGS		CAPS (Spun)		CAPS (With Birdscreen)	
	STOCK #	PRICE	STOCK #	PRICE	STOCK #	PRICE
3"			CAP03XXXXX	\$15.42		
4"	PLUG04XXXX	\$6.10	CAP04XXXXX	\$11.22	CAPBIRDS04	\$21.55
5"	PLUG05XXXX	\$6.46	CAP05XXXXX	\$13.80	CAPBIRDS05	\$25.88
6"	PLUG06XXXX	\$8.22	CAP06XXXXX	\$14.52	CAPBIRDS06	\$27.28
7"	PLUG07XXXX	\$8.82	CAP07XXXXX	\$15.66	CAPBIRDS07	\$31.52
8"	PLUG08XXXX	\$10.15	CAP08XXXXX	\$17.76	CAPBIRDS08	\$34.29
9"	PLUG09XXXX	\$10.50	CAP09XXXXX	\$21.12		
10"	PLUG10XXXX	\$13.08	CAP10XXXXX	\$23.28	CAPBIRDS10	\$43.28
12"	PLUG12XXXX	\$19.62	CAP12XXXXX	\$25.80	CAPBIRDS12	\$47.68
14"	PLUG14XXXX	\$22.62	CAP14XXXXX	\$28.56		
16"	PLUG16XXXX	\$26.04	CAP16XXXXX	\$36.29		
18"	PLUG18XXXX	\$29.70				
20"	PLUG20XXXX	\$36.90				
22"	PLUG22XXXX	\$40.92				
24"	PLUG24XXXX	\$45.60				



ELBOWS - 90° STANDARD

SIZE	26 GAUGE		24 GAUGE		22 GAUGE	
	STOCK #	PRICE	STOCK #	PRICE	STOCK #	PRICE
4"	ELB900426X	\$8.46				
5"	ELB900526X	\$9.18				
6"	ELB900626X	\$10.03	ELB900624X	\$21.23		
7"	ELB900726X	\$14.08				
8"	ELB900826X	\$14.29	ELB900824X	\$26.65		
9"	ELB900926X	\$22.49				
10"	ELB901026X	\$17.79	ELB901024X	\$31.94		
12"	ELB901226X	\$24.79	ELB901224X	\$39.94		
14"	ELB901426X	\$37.97				
16"			ELB901624X	\$62.84		
18"			ELB901824X	\$102.18		
20"					ELB902022X	\$132.90
22"					ELB902222X	\$183.87
24"					ELB902422X	\$204.46



ELBOWS - 45° STANDARD

SIZE	26 GAUGE		24 GAUGE		22 GAUGE	
	STOCK #	PRICE	STOCK #	PRICE	STOCK #	PRICE
4"	ELB450426X	\$10.27				
5"	ELB450526X	\$10.67				
6"	ELB450626X	\$11.73				
7"	ELB450726X	\$13.32				
8"	ELB450826X	\$14.18				
9"			ELB450924X	\$23.75		
10"	ELB451026X	\$18.27				
12"	ELB451226X	\$24.31	ELB451224X	\$28.67		
14"	ELB451426X	\$33.27				
16"			ELB451624X	\$49.20		
18"			ELB451824X	\$58.84		
20"					ELB452022X	\$84.38
22"					ELB452222X	\$92.41
24"					ELB452422X	\$103.14



ELBOWS - FULL THROAT RADIUS SPIRAL SIZE - 24 GAUGE

C.L. RADIUS - 1 1/2 TIMES THE DIAMETER

SIZE	90° - FTR 5 PIECE		45° - FTR 3 PIECE	
	STOCK #	PRICE	STOCK #	PRICE
4"	FTR900424S	\$19.63	FTR450424S	\$13.03
5"	FTR900524S	\$21.14	FTR450524S	\$12.76
6"	FTR900624S	\$24.02	FTR450624S	\$14.64
7"	FTR900724S	\$29.04	FTR450724S	\$19.67
8"	FTR900824S	\$34.52	FTR450824S	\$22.28



BETA 1 ELBOWS - FULL THROAT RADIUS - 24 & 22 GAUGE

C.L. RADIUS - 1 1/2 TIMES THE DIAMETER

Beta elbows are available upon request.



ELBOWS - FULL THROAT SPIRAL ELBOWS - 26 GAUGE

SIZE	90°		45°	
	STOCK #	PRICE	STOCK #	PRICE
4"	SPIRELB049026	\$12.90	SPIRELB044526	\$10.14
5"	SPIRELB059026	\$19.44	SPIRELB054526	\$13.80
6"	SPIRELB069026	\$21.24	SPIRELB064526	\$15.12
7"	SPIRELB079026	\$30.06	SPIRELB074526	\$17.70
8"	SPIRELB089026	\$30.78	SPIRELB084526	\$20.10
9"	SPIRELB099026	\$38.10	SPIRELB094526	\$31.20
10"	SPIRELB109026	\$42.90	SPIRELB104526	\$27.96
12"	SPIRELB129026	\$66.60	SPIRELB124526	\$41.40
14"	SPIRELB149026	\$86.40	SPIRELB144526	\$59.70
16"	SPIRELB169026	\$115.20	SPIRELB164526	\$72.00
18"	SPIRELB189026	\$142.80	SPIRELB184526	\$82.80





SIDE TAKE OFFS

<u>SIZE</u>	<u>STOCK #</u>	<u>GAUGE</u>	<u>PRICE</u>
4"	SIDETO0428	28	\$15.38
5"	SIDETO0526	26	\$18.06
6"	SIDETO0626	26	\$17.24
7"	SIDETO0726	26	\$24.65
8"	SIDETO0826	26	\$22.76
9"	SIDETO0926	26	\$29.55
10"	SIDETO1026	26	\$29.82
12"	SIDETO1226	26	\$42.66
14"	SIDETO1424	24	\$60.09
16"	SIDETO1624	24	\$74.42
18"	SIDETO1824	24	\$100.94
20"	SIDETO2024	24	\$115.36
22"	SIDETO2224	24	\$142.12
24"	SIDETO2424	24	\$158.53

SADDLE TAKE OFFS

<u>STOCK #</u>	<u>GAUGE</u>	<u>PRICE</u>
SADLTO0426	26	\$11.37
SADLTO0526	26	\$11.52
SADLTO0626	26	\$12.05
SADLTO0726	26	\$18.36
SADLTO0826	26	\$19.04
SADLTO0926	26	\$22.09
SADLTO1026	26	\$23.18
SADLTO1226	26	\$23.87
SADLTO1424	24	\$40.96
SADLTO1624	24	\$44.46
SADLTO1824	24	\$56.34



TOP TAKE OFFS

<u>SIZE</u>	<u>STOCK #</u>	<u>GAUGE</u>	<u>PRICE</u>
6"	TOPTOX0626	26	\$23.95
7"	TOPTOX0726	26	\$32.11
8"	TOPTOX0826	26	\$34.88
9"	TOPTOX0926	26	\$44.10
10"	TOPTOX1026	26	\$44.73
12"	TOPTOX1226	26	\$66.87
14"	TOPTOX1424	24	\$117.68



HANGER STRAPS

<u>STOCK #</u>	<u>SIZE</u>	<u>GAUGE</u>	<u>PRICE</u>	
HGRSTR1X96	1" x 96"	18	\$7.48	per each
HGRSTRCOIL	1" COIL (approx. 100 lbs.)	18	\$4.44	per lb



FIRE DAMPER ANGLES

<u>STOCK #</u>	<u>SIZE</u>	<u>GAUGE</u>	<u>PRICE</u>
ANGLEX12016	1.5" x 1.5" x 120"L	16	\$34.17
ANGLE412016	4" x 1.5" x 120"L	16	\$67.55
ANGLEX9624	1.5" x 1.5" x 96"L	24	\$14.45

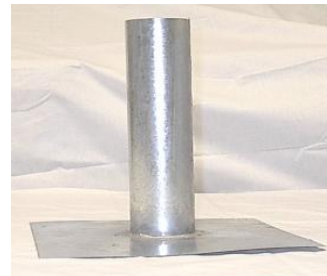
FIRE DAMPER SLEEVES

<u>STOCK #</u>	<u>DESCRIPTION</u>	<u>PRICE</u>
FDSLEV04XX	3" & 4" ROUND F.D. SLEEVE 5 7/8" x 6" - 12" LONG	\$20.51
FDSLEV05XX	5" ROUND F.D. SLEEVE 7" x 7" - 12" LONG	\$22.93
FDSLEV06XX	6" ROUND F.D. SLEEVE 8" x 9" - 12" LONG	\$24.98
FDSLEV08XX	8" ROUND F.D. SLEEVE 10" x 11" - 12" LONG	\$28.68
FDSLEV10XX	10" ROUND F.D. SLEEVE 12" x 13" - 12" LONG	\$34.51
FDSLEV12XX	12" ROUND F.D. SLEEVE 14" x 15" - 12" LONG	\$39.65
FDSLEV14XX	14" ROUND F.D. SLEEVE 16" x 17" - 12" LONG	\$44.70



GUM CUPS

<u>STOCK #</u>	<u>SIZE</u>	<u>PRICE</u>
GUMCUP2XXX	2"	\$27.42
GUMCUP3XXX	3"	\$27.85
GUMCUP4XXX	4"	\$29.08





ACCESS PANELS FOR PIPE

<u>STOCK #</u>	<u>SIZE</u>	<u>PRICE</u>
ACCPANX106	10 X 6	\$29.50
ACCPANX128	12 X 8	\$32.95



U CHANNEL 16 GAUGE

<u>STOCK #</u>	<u>SIZE</u>	<u>PRICE</u>
UCHANNEL120	1" X 2" X 1"	\$45.16



FALSE CP & FALSE TDC

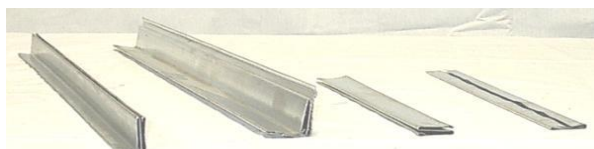
<u>CP</u>			
<u>STOCK #</u>	<u>SIZE</u>	<u>GAUGE</u>	<u>PRICE</u>
FALSECPXXX	96"	24	\$16.17

<u>TDC</u>			
<u>STOCK #</u>	<u>SIZE</u>	<u>GAUGE</u>	<u>PRICE</u>
FALSETDCXX	96"	22	\$19.46

CLEATS

<u>S CLEATS</u>			
<u>STOCK #</u>	<u>SIZE</u>	<u>GAUGE</u>	<u>PRICE</u>
SCLEAT9626	96"	26	\$13.18
SCLEAT9624	96"	24	\$17.72
SCLEAT9622	96"	22	\$21.48

<u>D CLEATS</u>			
<u>STOCK #</u>	<u>SIZE</u>	<u>GAUGE</u>	<u>PRICE</u>
DCLEAT9626	96"	26	\$7.78
DCLEAT9624	96"	24	\$10.68
DCLEAT9622	96"	22	\$11.69



<u>1/2" STANDING S CLEATS</u>			
<u>STOCK #</u>	<u>SIZE</u>	<u>GAUGE</u>	<u>PRICE/EA</u>
SSTD512026	120"	26	\$20.41
SSTD512024	120"	24	\$24.24

<u>1" STANDING S CLEATS</u>			
<u>STOCK #</u>	<u>SIZE</u>	<u>GAUGE</u>	<u>PRICE/EA</u>
SSTD112022	120"	22	\$37.25

TDC CLIPS & VERSA CLEAT

<u>STOCK #</u>	<u>DESCRIPTION</u>	<u>PRICE/EA</u>
TDCCLIPSXX	TDC CLIPS - 30" LENGTH (5 clips per 30" length)	\$3.51
VERSCLEAT	VERSA CLEAT (250/BOX)	\$275.83



For TDC Corners and TDC tools see Miscellaneous section, Page 13

SPIRAL PIPE REDUCERS

26 GAUGE 2 SMALL ENDS

<u>STOCK #</u>	<u>DESCRIPTION</u>	<u>PRICE</u>
RED060426S	6 - 4	\$25.33
RED060526S	6 - 5	\$25.51
RED070526S	7 - 5	\$27.00
RED070626S	7 - 6	\$27.02
RED080526S	8 - 5	\$30.08
RED080626S	8 - 6	\$30.37
RED080726S	8 - 7	\$30.55
RED090726S	9 - 7	\$32.60
RED090826S	9 - 8	\$32.98
RED100626S	10 - 6	\$36.02
RED100726S	10 - 7	\$35.53
RED100826S	10 - 8	\$36.42
RED100926S	10 - 9	\$35.16
RED120626S	12 - 6	\$39.56
RED120826S	12 - 8	\$39.85
RED120926S	12 - 9	\$39.74
RED121026S	12 - 10	\$39.47

BE / SE PIPE SIZE REDUCERS

For big end small end reducers, please refer to Residential section, page 11.

24 GAUGE 2 SMALL ENDS

<u>STOCK #</u>	<u>DESCRIPTION</u>	<u>PRICE</u>
RED140824S	14 - 8	\$54.14
RED141024S	14 - 10	\$53.98
RED141224S	14 - 12	\$53.58
RED161024S	16 - 10	\$64.85
RED161224S	16 - 12	\$64.89
RED161424S	16 - 14	\$64.77
RED181224S	18 - 12	\$100.94
RED181424S	18 - 14	\$100.75
RED181624S	18 - 16	\$100.83
RED201424S	20 - 14	\$101.59
RED201624S	20 - 16	\$101.81
RED201824S	20 - 18	\$100.39
RED221824S	22 - 18	\$111.54
RED222024S	22 - 20	\$111.09
RED242024S	24 - 20	\$123.05
RED242224S	24 - 22	\$121.90





SPIN-IN COLLARS

<u>STOCK #</u>	<u>SIZE</u>	<u>PRICE</u>
SIC04XXXXX	4"	\$6.23
SIC05XXXXX	5"	\$6.57
SIC06XXXXX	6"	\$6.75
SIC07XXXXX	7"	\$7.58
SIC08XXXXX	8"	\$7.59
SIC09XXXXX	9"	\$7.74
SIC10XXXXX	10"	\$10.02
SIC12XXXXX	12"	\$11.64
SIC14XXXXX	14"	\$16.13
SIC16XXXXX	16"	\$19.31
SIC18XXXXX	18"	\$21.71



SPIN-IN COLLARS

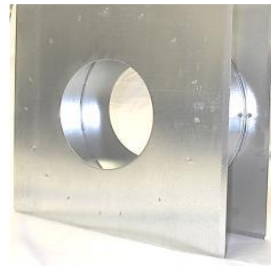
W/ DAMPER INSTALLED

<u>STOCK #</u>	<u>SIZE</u>	<u>PRICE</u>
SICWD04XXX	4"	\$16.66
SICWD05XXX	5"	\$17.23
SICWD06XXX	6"	\$17.63
SICWD07XXX	7"	\$19.11
SICWD08XXX	8"	\$21.00
SICWD10XXX	10"	\$29.10
SICWD12XXX	12"	\$30.60



WALL THIMBLES

<u>STOCK #</u>	<u>SIZE</u>	<u>PRICE</u>
WALLTHIM04	4"	\$31.59
WALLTHIM05	5"	\$37.67
WALLTHIM06	6"	\$56.63



PATCHES

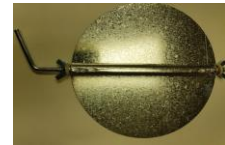
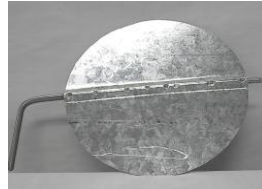
<u>STOCK #</u>	<u>SIZE</u>	<u>PRICE</u>
PATCH121226X	12 X 12	\$13.42
PATCH242426X	24 X 24	\$26.96

ALGGIN DAMPERS

<u>STOCK #</u>	<u>SIZE</u>	<u>PRICE</u>
ALGDAMP04X	4"	\$7.09
ALGDAMP05X	5"	\$7.12
ALGDAMP06X	6"	\$7.29
ALGDAMP07X	7"	\$8.95
ALGDAMP08X	8"	\$8.88
ALGDAMP09X	9"	\$13.29
ALGDAMP10X	10"	\$13.25
ALGDAMP12X	12"	\$16.05
ALGDAMP14X	14"	\$22.25
ALGDAMP16X	16"	\$27.46
ALGDAMP18X	18"	\$36.47
ALGDAMP20X	20"	\$43.80

COMMERCIAL DAMPERS

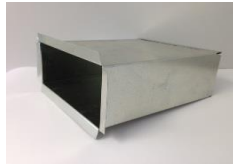
<u>STOCK #</u>	<u>SIZE</u>	<u>PRICE</u>
DAMPCOM04	4"	\$9.40
DAMPCOM05	5"	\$9.42
DAMPCOM06	6"	\$9.72
DAMPCOM07	7"	\$11.22
DAMPCOM08	8"	\$12.42
DAMPCOM10	10"	\$15.78
DAMPCOM12	12"	\$18.54
DAMPCOM14	14"	\$24.78



DIFFUSER BOX

12" LONG, 26 GAUGE

<u>STOCK #</u>	<u>SIZE</u>	<u>PRICE</u>
DIFFBOX410	4 x 10	\$19.60
DIFFBOX412	4 x 12	\$23.78



END CAPS

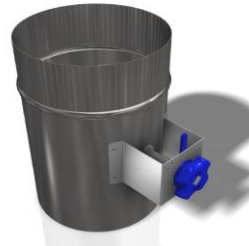
<u>STOCK #</u>	<u>SIZE</u>	<u>PRICE</u>
ENDCAP0410	4 x 10	\$6.80
ENDCAP0412	4 x 12	\$7.98



DAMPER SLEEVE - HEAVY DUTY

24 GAUGE

<u>STOCK #</u>	<u>SIZE</u>	<u>PRICE</u>
HDDAMPSLEV06	6"	\$58.80
HDDAMPSLEV08	8"	\$63.60
HDDAMPSLEV10	10"	\$74.70
HDDAMPSLEV12	12"	\$89.40



CUSHION (BUMPER) TEES

26 GAUGE

<u>STOCK #</u>	<u>SIZE</u>	<u>PRICE</u>
CUSHIONT06	6 x 6 x 6	\$29.62
CUSHIONT08	8 x 8 x 8	\$37.40
CUSHIONT10	10 x 10 x 10	\$55.48
CUSHIONT12	12 x 12 x 12	\$79.18





STORM COLLARS - PIPE SIZE

<u>STOCK #</u>	<u>DESCRIPTION</u>	<u>PRICE</u>
STCOLPSX03	3" STORM COLLAR LAPPED AND SPOT WELDED	\$6.21
STCOLPSX04	4" STORM COLLAR LAPPED AND SPOT WELDED	\$7.07
STCOLPSX05	5" STORM COLLAR LAPPED AND SPOT WELDED	\$8.61
STCOLPSX06	6" STORM COLLAR LAPPED AND SPOT WELDED	\$10.34
STCOLPSX07	7" STORM COLLAR LAPPED AND SPOT WELDED	\$11.73
STCOLPSX08	8" STORM COLLAR LAPPED AND SPOT WELDED	\$12.81
STCOLPSX10	10" STORM COLLAR LAPPED AND SPOT WELDED	\$15.75
STCOLPSX12	12" STORM COLLAR LAPPED AND SPOT WELDED	\$21.82



STORM COLLARS PIPE SIZE - ADJUSTABLE

<u>STOCK #</u>	<u>DESCRIPTION</u>	<u>PRICE</u>
STCOLADJ03	3" STORM COLLAR ADJUSTABLE C/W BOLT	\$12.41
STCOLADJ04	4" STORM COLLAR ADJUSTABLE C/W BOLT	\$14.01
STCOLADJ05	5" STORM COLLAR ADJUSTABLE C/W BOLT	\$15.46
STCOLADJ06	6" STORM COLLAR ADJUSTABLE C/W BOLT	\$16.25
STCOLADJ07	7" STORM COLLAR ADJUSTABLE C/W BOLT	\$17.84
STCOLADJ08	8" STORM COLLAR ADJUSTABLE C/W BOLT	\$21.68
STCOLADJ10	10" STORM COLLAR ADJUSTABLE C/W BOLT	\$24.51
STCOLADJ12	12" STORM COLLAR ADJUSTABLE C/W BOLT	\$29.35
STCOLADJ14	14" STORM COLLAR ADJUSTABLE C/W BOLT	\$38.96



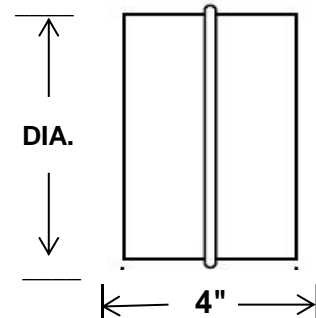
TALL CONE FLASHINGS PIPE SIZE

<u>STOCK #</u>	<u>DESCRIPTION</u>	<u>PRICE</u>
TCRFPS0300	3" TALL CONE FLASHING 12" HIGH SOLDERED	\$51.02
TCRFPS0400	4" TALL CONE FLASHING 12" HIGH SOLDERED	\$51.42
TCRFPS0500	5" TALL CONE FLASHING 12" HIGH SOLDERED	\$57.21
TCRFPS0600	6" TALL CONE FLASHING 12" HIGH SOLDERED	\$59.94
TCRFPS0700	7" TALL CONE FLASHING 12" HIGH SOLDERED	\$76.54
TCRFPS0800	8" TALL CONE FLASHING 12" HIGH SOLDERED	\$80.41
TCRFPS1000	10" TALL CONE FLASHING 12" HIGH SOLDERED	\$90.15
TCRFPS1200	12" TALL CONE FLASHING 12" HIGH SOLDERED	\$92.25
TCRFPS1400	14" TALL CONE FLASHING 12" HIGH SOLDERED	\$106.28



SPIRAL PIPE CONNECTORS GALVANIZED

<u>STOCK #</u>	<u>DIAMETER</u>	<u>PRICE</u>
SPIRCONN03	3"	\$4.52
SPIRCONN04	4"	\$4.90
SPIRCONN05	5"	\$5.48
SPIRCONN06	6"	\$6.10
SPIRCONN07	7"	\$7.45
SPIRCONN08	8"	\$8.10
SPIRCONN09	9"	\$9.02
SPIRCONN10	10"	\$9.92
SPIRCONN12	12"	\$11.23
SPIRCONN14	14"	\$14.55
SPIRCONN16	16"	\$17.42
SPIRCONN18	18"	\$20.95
SPIRCONN20	20"	\$22.77
SPIRCONN22	22"	\$23.93
SPIRCONN24	24"	\$26.41
SPIRCONN26	26"	\$33.95
SPIRCONN28	28"	\$37.87
SPIRCONN30	30"	\$43.32



Other sizes are available upon request.

ECONOFLANGES - ROUND SPLIT RING

<u>STOCK #</u>	<u>SIZE</u>	<u>PRICE</u>
FLANGEDM18	18"	\$55.10
FLANGEDM20	20"	\$57.17
FLANGEDM22	22"	\$58.41
FLANGEDM24	24"	\$60.93
FLANGEDM26	26"	\$77.93
FLANGEDM28	28"	\$83.12
FLANGEDM30	30"	\$87.60
FLANGEDM32	32"	\$92.60
FLANGEDM34	34"	\$103.51
FLANGEDM36	36"	\$107.93
FLANGEDM38	38"	\$125.26
FLANGEDM40	40"	\$126.77
FLANGEDM42	42"	\$133.34
FLANGEDM44	44"	\$138.88
FLANGEDM46	46"	\$144.43
FLANGEDM48	48"	\$150.96
FLANGEDM60	60"	\$187.04





SLAB DUCT

INLET- 24ga

<u>STOCK #</u>	<u>DESCRIPTION</u>	<u>PRICE</u>
SDINLETBOOT04FS	12" X 1.75" SLAB 4" INLET BOOT w/FS	\$50.39
SDINLETBOOT05FS	12" X 1.75" SLAB 5" INLET BOOT w/FS	\$50.39
SDINLETBOOT06FS	12" X 1.75" SLAB 6" INLET BOOT w/FS	\$50.39
SDINLETBOOT08FS	12" X 1.75" SLAB 8" INLET BOOT w/FS	\$81.89
SDINLETBT04325FS	12" X 1.75" SLAB 4" INLET BOOT 3.25" w/FS	\$50.94
SDINLETBT05325FS	12" X 1.75" SLAB 5" INLET BOOT 3.25" w/FS	\$50.94
SDINLETBT06325FS	12" X 1.75" SLAB 6" INLET BOOT 3.25" w/FS	\$50.94
SDINLETBT08325FS	12" X 1.75" SLAB 8" INLET BOOT 3.25" w/FS	\$82.24
SDINLETCOL06FS	12" X 1.75" SLAB 6" INLET COLLAR w/FS	\$73.77
SDINLETTEL9008FS	12" X 1.75" SLAB 8" INLET 90 deg ELBOW w/FS	\$84.10

SOFFIT- 24ga

<u>STOCK #</u>	<u>DESCRIPTION</u>	<u>PRICE</u>
SDSOFDIS125	12" X 1.75" SLAB SOFFIT DISCHARGE 1 1/4"	\$25.46
SDSOFDIS218	12" X 1.75" SLAB SOFFIT DISCHARGE 2 1/8"	\$25.46
SDSOFDIS275	12" X 1.75" SLAB SOFFIT DISCHARGE 2 3/4"	\$26.38
SDSOFDIS325	12" X 1.75" SLAB SOFFIT DISCHARGE 3 1/4"	\$28.04
SDSOFDIS325FS	12" X 1.75" SLAB SOFFIT DISCHARGE 3 1/4" w/FS	\$55.31
SDSOFDISDAMP218	12" X 1.75" SLAB SOFFIT DISCHARGE w/DAMPER 2 1/8"	\$36.66
SDSOFDISDAMP275	12" X 1.75" SLAB SOFFIT DISCHARGE w/DAMPER 2 3/4"	\$37.03
SDSOFDISDAMP350	12" X 1.75" SLAB SOFFIT DISCHARGE w/DAMPER 3 1/4"	\$44.69
SDSOFDUALDIS218FS	12" X 1.75" DUAL SLAB SOFFIT DISCHARGE 2 1/8" w/FS	\$113.93
SDSOFGRILLAL	SLAB SOFFIT GRILL, ALUMINUM	\$9.83


WALL - 24ga

<u>STOCK #</u>	<u>DESCRIPTION</u>	<u>PRICE</u>
SDWALLCAP24G	SLAB WALL CAP w/DAMPER	\$51.88
SDWALLDIS24G	12" X 1.75" SLAB WALL DISCHARGE	\$20.15
SDWALLDISDAMP	12" X 1.75" SLAB WALL DISCHARGE w/DAMPER	\$30.23
SDWALLDISFLAT	12" X 1.75" SLAB WALL DISCHARGE FLAT ON TOP	\$20.15

ACCESSORIES - 24ga

<u>STOCK #</u>	<u>DESCRIPTION</u>	<u>PRICE</u>
SDCHAIR	PLASTIC SLAB CHAIR SUPPORT BRACKET	\$1.68
SDCHANNEL35	12" X 1.75" SLAB DUCT REINFORCED 3.5" CHANNEL	\$10.48
SDCONN24G	12" X 1.75" SLAB CONNECTING COLLAR	\$7.36
SDEL3024	12" X 1.75" SLAB 30 DEG ELBOW	\$23.69
SDEL4524	12" X 1.75" SLAB 45 DEG ELBOW	\$23.90
SDEL9024GA	12" X 1.75" SLAB 90 DEG ELBOW	\$29.62
SDFACIAEXTEN	SLAB FASCIA EXTENSION (TELESCOPING)	\$44.66






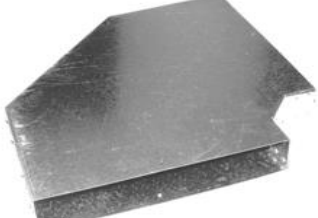






SLAB DUCT SYSTEM

	MAX 3-H F & FT RATING
	Tested in accordance with ULC S115-M95
	and ASTM E8 14-02

The slab duct system is a rectangular spiral seamed duct embedded in the structural concrete floors of high-rise buildings. Its primary use is to exhaust air from bathroom fans, range hoods and clothes dryers.

The in-slab system consists of a full range of terminations, couplers, and fittings as detailed below.

Please contact your Algin representative for pricing information.

 <p>Slab duct w/ reinforced channel 12"x1-3/4" - 10'ft.lengths - 26 Ga</p>	 <p>Slab duct w/o channel 12"x1-3/4" - 10'ft.lengths - 26 Ga</p>	 <p>Coupler - 24 Ga</p>
 <p>30 degree elbow - 24 Ga</p>	 <p>45 degree elbow - 24 Ga</p>	 <p>90 degree elbow - 24 Ga</p>
 <p>Inlet boot - FS (5" or 6") - 24 Ga</p>	 <p>Aluminum grille with or w/o fold - 24 Ga</p>	 <p>Plastic support bracket dual sizing - 3-14" or 2-1/8"</p>
 <p>Soffit discharge - 24 Ga</p>	 <p>Wall discharge - 24 Ga</p>	 <p>Wall cap w/ damper - 24 Ga</p>



ANGLE FLANGES - STANDARD STEEL

STOCK #	SIZE(")	I.D (")	H (")	W (")	GAUGE	BOLT CIRCLE	BOLT SIZE	NO. OF HOLES	PRICE
FLANGE06XX	6	6 1/8	1 1/4	1 1/4	10	7 1/2	3/8	6	\$18.00
FLANGE07XX	7	7 1/8	1 1/4	1 1/4	10	8 1/2	3/8	6	\$22.00
FLANGE08XX	8	8 1/8	1 1/4	1 1/4	10	9 1/2	3/8	8	\$25.30
FLANGE09XX	9	9 1/8	1 1/4	1 1/4	10	10 5/8	3/8	6	\$29.00
FLANGE10XX	10	10 1/8	1 1/4	1 1/4	10	11 1/2	3/8	8	\$32.25
FLANGE12XX	12	12 3/16	1 1/2	1 1/2	10	13 13/16	3/8	12	\$44.00
FLANGE14XX	14	14 3/16	1 1/2	1 1/2	10	16	7/16	8	\$53.75
FLANGE16XX	16	16 3/16	1 1/2	1 1/2	7	18	7/16	8	\$65.00
FLANGE18XX	18	18 3/16	1 1/2	1 1/2	7	19 3/4	7/16	8	\$69.75
FLANGE20XX	20	20 3/16	1 1/2	1 1/2	7	21 3/4	7/16	12	\$76.50
FLANGE22XX	22	22 3/16	1 1/2	1 1/2	7	23 3/4	7/16	12	\$80.50
FLANGE24XX	24	24 3/16	1 1/2	1 1/2	7	25 3/4	7/16	12	\$86.50
FLANGE26XX	26	26 3/16	2	2	7	28 3/8	7/16	16	\$121.50

FLAT RINGS - STANDARD STEEL

SIZE(")		I.D (")	H (")	W (")	GAUGE	BOLT CIRCLE	BOLT SIZE	NO. OF HOLES	PRICE
3	Flat ring	3 1/16		1 1/4	7	4 5/16	9/32	6	POA
4	Flat ring	4 1/16		1 1/4	7	5 5/16	9/32	6	POA
5	Flat ring	5 1/16		1 1/4	7	6 5/16	9/32	6	POA
6	Flat ring	6 1/8		1 1/4	7	7 1/2	3/8	6	POA
7	Flat ring	7 1/8		1 1/4	7	8 1/2	3/8	6	POA
8	Flat ring	8 1/8		1 1/4	7	9 1/2	3/8	8	POA
9	Flat ring	9 1/8		1 1/4	7	10 5/8	3/8	6	POA
10	Flat ring	10 1/8		1 1/4	7	11 1/2	3/8	8	POA
11	Flat ring	11 1/8		1 1/4	7	12 3/4	3/8	6	POA
12	Flat ring	12 3/16		1 1/2	7	13 13/16	3/8	12	POA

NOTE: PLEASE INQUIRE ABOUT THE AVAILABILITY OF OTHER SIZES.



SPIRAL PIPE



www.alggin.com

CALGARY
4540 46th Avenue SE
(403) 252-0132
sales@alggin.com

EDMONTON
12110 154 St. NW
(780) 424-0132
edmsales@alggin.com

LETHBRIDGE
1126 36 St. N
(403) 320-8732
letsales@alggin.com



FOLLOW THE EXAMPLES LISTED BELOW FOR SPIRAL PIPE STOCK NUMBERS:

Spiral Pipe 03" diameter, 28 Gauge = SPIRAL0328

Spiral Pipe 60" diameter, 24 Gauge = SPIRAL6024

GALVANIZED SPIRAL PIPE

DIAMETER		28 GAUGE		26 GAUGE		24 GAUGE	
		PRICE PER FT	WEIGHT LBS/FT	PRICE PER FT	WEIGHT LBS/FT	PRICE PER FT	WEIGHT LBS/FT
IN	MM						
3	76	-----	-----	\$9.73	0.8	\$12.16	1.0
4	102	\$7.91	0.9	\$9.73	1.1	\$12.16	1.4
5	127	\$7.91	1.1	\$9.73	1.3	\$12.16	1.7
6	152	\$7.91	1.3	\$9.73	1.6	\$12.16	2.0
7	178	\$9.73	1.6	\$10.95	1.8	\$14.60	2.4
8	203	\$10.95	1.8	\$12.77	2.1	\$16.42	2.7
9	229	\$12.16	2.0	\$13.99	2.3	\$18.86	3.1
10	254	\$13.38	2.2	\$15.81	2.6	\$20.68	3.4
11	279	\$14.60	2.4	\$17.64	2.9	\$22.50	3.7
12	305	\$16.42	2.7	\$18.85	3.1	\$24.94	4.1
13	330	\$17.64	2.9	\$20.68	3.4	\$26.76	4.4
14	356	\$18.85	3.1	\$21.89	3.6	\$28.58	4.7
15	381	POA	3.3	\$23.72	3.9	\$31.02	5.1
16	406	POA	3.6	\$24.93	4.1	\$32.84	5.4
18	457	POA	4.0	\$27.97	4.6	\$37.10	6.1
20	508	POA	4.4	\$31.62	5.2	\$41.35	6.8
22	559	POA	4.9	\$34.66	5.7	\$45.60	7.5
24	610	POA	5.3	\$37.70	6.2	\$49.86	8.2
26	660	POA	5.8	POA	6.7	\$54.12	8.9
28	711	POA	6.2	POA	7.2	\$57.76	9.5
30	762	POA	6.7	POA	7.7	\$62.02	10.2
32	813	POA	7.1	POA	8.2	\$66.28	10.9
34	864	POA	7.6	POA	8.7	\$69.92	11.5
36	914	POA	8.0	POA	9.2	\$74.18	12.2
38	965	-----	-----	POA	9.8	POA	12.9
40	1016	-----	-----	POA	10.3	POA	13.6
42	1067	-----	-----	POA	10.8	POA	14.2
44	1118	-----	-----	POA	11.3	POA	14.9
46	1168	-----	-----	POA	11.8	POA	15.6
48	1219	-----	-----	POA	12.3	POA	16.3
50	1270	-----	-----	POA	12.8	POA	16.9
52	1321	-----	-----	POA	13.4	POA	17.6
54	1372	-----	-----	POA	13.9	POA	18.3
56	1422	-----	-----	POA	14.4	POA	19
58	1473	-----	-----	POA	14.9	POA	19.7
60	1524	-----	-----	POA	15.4	POA	20.3

SMACNA gauges to 10" w.g. static positive.

SMACNA gauges to 2" w.g. static positive.



FOLLOW THE EXAMPLES LISTED BELOW FOR SPIRAL PIPE STOCK NUMBERS:
Spiral Pipe 03" diameter, 28 Gauge = SPIRAL0328
Spiral Pipe 60" diameter, 24 Gauge = SPIRAL6024

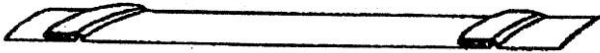


GALVANIZED SPIRAL PIPE

DIAMETER		22 GAUGE		20 GAUGE		18 GAUGE	
		PRICE PER FT	WEIGHT LBS/FT	PRICE PER FT	WEIGHT LBS/FT	PRICE PER FT	WEIGHT LBS/FT
IN	MM						
3	76	\$15.20	1.3	\$18.24	1.5	POA	2.0
4	102	\$15.20	1.7	\$18.24	2.0	POA	2.6
5	127	\$15.20	2.1	\$18.24	2.5	POA	3.3
6	152	\$15.20	2.5	\$18.24	3.0	\$23.72	3.9
7	178	\$17.64	2.9	\$20.68	3.4	\$27.97	4.6
8	203	\$20.07	3.3	\$23.72	3.9	\$32.23	5.3
9	229	\$22.50	3.7	\$26.76	4.4	\$35.88	5.9
10	254	\$24.93	4.1	\$29.80	4.9	\$40.13	6.6
11	279	\$27.98	4.6	\$32.84	5.4	\$43.78	7.2
12	305	\$30.40	5.0	\$35.88	5.9	\$48.04	7.9
13	330	\$32.84	5.4	\$38.92	6.4	\$51.68	8.5
14	356	\$35.27	5.8	\$41.96	6.9	\$55.94	9.2
15	381	\$37.70	6.2	\$44.39	7.3	\$59.59	9.8
16	406	\$40.13	6.6	\$47.43	7.8	\$63.84	10.5
18	457	\$45.60	7.5	\$53.51	8.8	\$71.75	11.8
20	508	\$50.47	8.3	\$59.59	9.8	\$79.65	13.1
22	559	\$55.33	9.1	\$65.67	10.8	\$88.16	14.5
24	610	\$60.80	10.0	\$71.14	11.7	\$96.07	15.8
26	660	\$65.66	10.8	\$77.22	12.7	\$103.97	17.1
28	711	\$70.53	11.6	\$83.30	13.7	\$111.88	18.4
30	762	\$75.40	12.4	\$88.77	14.6	\$119.78	19.7
32	813	\$80.87	13.3	\$94.85	15.6	\$127.68	21.0
34	864	\$85.73	14.1	\$100.93	16.6	\$136.20	22.4
36	914	\$90.60	14.9	\$106.40	17.5	\$144.10	23.7
38	965	\$95.46	15.7	\$113.09	18.6	\$152.00	25.0
40	1016	\$100.32	16.5	\$118.56	19.5	\$159.91	26.3
42	1067	\$105.80	17.4	\$124.64	20.5	\$167.81	27.6
44	1118	\$110.66	18.2	\$130.72	21.5	\$176.32	29.0
46	1168	\$115.52	19.0	\$136.80	22.5	\$184.23	30.3
48	1219	\$121.00	19.9	\$142.28	23.4	\$192.13	31.6
50	1270	\$125.25	20.6	\$148.36	24.4	\$200.04	32.9
52	1321	\$130.72	21.5	\$153.83	25.3	\$207.94	34.2
54	1372	\$135.59	22.3	\$159.91	26.3	\$215.84	35.5
56	1422	\$140.45	23.1	\$165.99	27.3	\$224.36	36.9
58	1473	\$145.32	23.9	\$172.07	28.3	\$232.26	38.2
60	1524	\$150.18	24.7	\$178.15	29.3	\$240.16	39.5
62	1575	-----	-----	\$184.23	30.3	\$248.68	40.9
64	1625	-----	-----	\$189.70	31.2	\$256.58	42.2
66	1676	-----	-----	\$195.78	32.2	\$264.48	43.5
68	1727	-----	-----	\$201.86	33.2	\$272.39	44.8
72	1829	-----	-----	\$213.41	35.1	\$288.80	47.5

SMACNA gauges to 10" w.g. static positive.
SMACNA gauges to 2" w.g. static positive.

Prices are F.O.B. our warehouse and subject to change without notice. All taxes extra.



<p>STANDARD PROFILE - PLAIN (PL)</p>  <p>CORRUGATED (3C) - 3 LIGHT CORRUGATIONS - SOME SIZES STOCKED</p> 	<p>FLAT OVAL SPIRAL DUCT & FITTINGS ARE AVAILABLE</p> <p>* Contact your Alggin representative for price and availability.</p> 
---	--

**MATERIAL AVAILABLE:
GALVANIZED STEEL, ALUMINUM, WIPED COAT, STAINLESS STEEL, PERFORATED.**

ROUND DUCT GAUGE SELECTION						
GALVANIZED STEEL						
Duct Diameter in Inches	Maximum 2" w.g. Static Positive		Maximum 10" w.g. Static Positive		Maximum 2" w.g. Static Negative	
	Spiral Seam Gauge	Longitudinal Seam Gauge	Spiral Seam Gauge	Longitudinal Seam Gauge	Spiral Seam Gauge	Longitudinal Seam Gauge
3 thru 8	28	28	26	24	28	24
9 thru 14	28	26	26	24	26	24
15 thru 26	26	24	24	22	24	22
27 thru 36	24	22	22	20	22	20
37 thru 50	22	20	20	20	20	18
51 thru 60	20	18	18	18	18	16
61 thru 84	18	16	18	16	16	14

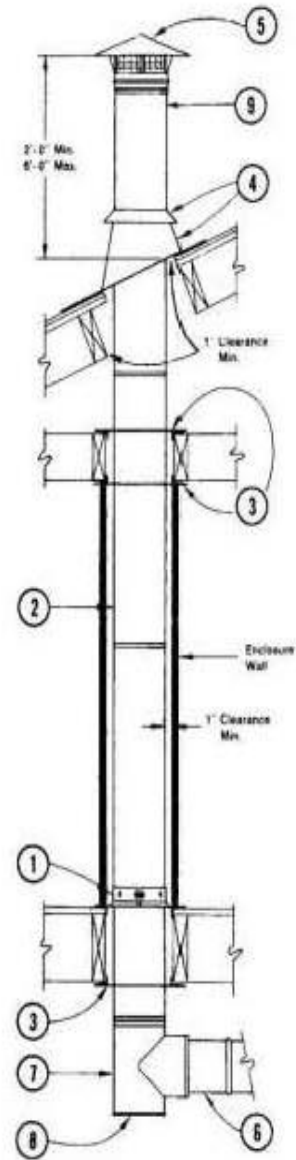
*Reference SMACNA HVAC Duct Construction Standards - 1st Edition, 1985 - Table 3-2.

ALUMINUM ROUND DUCT GAUGE SCHEDULE				
Duct Diameter in Inches	Maximum 2" w.g. Static Positive		Maximum 2" w.g. Static Negative	
	Spiral Seam Gauge	Longitudinal Seam Gauge	Spiral Seam Gauge	Longitudinal Seam Gauge
3 thru 8	.025"	.032"	.025"	.040"
9 thru 14	.025"	.032"	.032"	.040"
15 thru 26	.032"	.040"	.040"	.050"
27 thru 36	.040"	.050"	.050"	.063"
37 thru 50	.050"	.063"	.063"	.071"
51 thru 60	.063"	.071"	N.A.	.090"
61 thru 84	N.A.	.090"	N.A.	N.A.

*Reference SMACNA HVAC Duct Construction Standards - 1st Edition, 1985 - Table 3-3.



B VENT



www.alggin.com

CALGARY
4540 46th Avenue SE
(403) 252-0132
sales@alggin.com

EDMONTON
12110 154 St. NW
(780) 424-0132
edmsales@alggin.com

LETHBRIDGE
1126 36 St. N
(403) 320-8732
letsales@alggin.com



TYPE B GAS VENT PIPE AND FITTINGS



STOCK #	ITEM	PRICE			
		3"	4"	5"	6"
BBVLEN -- 60	CHIMNEY LENGTH x 60"	\$58.48	\$59.66	\$67.73	\$80.45
BBVLEN -- 48	CHIMNEY LENGTH x 48"	----	\$54.55	\$63.50	\$69.87
BBVLEN -- 36	CHIMNEY LENGTH x 36"	\$41.03	\$38.17	\$42.34	\$49.34
BBVLEN -- 24	CHIMNEY LENGTH x 24"	----	----	----	----
BBVLEN -- 18	CHIMNEY LENGTH x 18"	----	\$23.63	\$26.33	\$27.90
BBVLEN -- 12	CHIMNEY LENGTH x 12"	\$24.21	\$21.14	\$23.41	\$24.21
BBVLENA -- 12	CHIMNEY LENGTH x 12" ADJ.	\$33.09	\$31.19	\$39.69	\$44.98
BBVLENA -- 18	CHIMNEY LENGTH x 18" ADJ.	----	----	----	----
BBVRCX -- 00	RAIN CAP	\$24.48	\$24.48	\$34.26	\$37.71
BBVSCX -- 00	STORM COLLAR	\$5.43	\$5.72	\$6.15	\$7.00
BBVARF -- 00	ADJ. ROOF FLASHING	\$24.62	\$24.86	\$30.31	\$35.60
BBVTCF -- 00	TALL CONE FLASHING	\$41.03	\$43.86	\$48.56	\$50.54
BBVFSS -- 00	FIRESTOP SPACER	\$11.25	\$9.94	\$10.72	\$10.98
BBVSPA -- 00	SUPPORT PLATE ASSY.	\$21.17	\$20.87	\$22.24	\$23.15
BBVDWT -- 00	DOUBLE WALL TEE	\$71.71	\$67.35	\$72.78	\$81.36
BBVDWY -- 00	DOUBLE WALL WYE	\$79.38	\$82.03	\$91.94	\$99.88
BBVTCX -- 00	TEE CAP	\$7.94	\$6.95	\$7.54	\$9.01
BBVDHC -- 00	DRAFT HOOD CONNECTOR	\$13.90	\$13.04	\$14.57	\$16.81
BBVDWE -- 90	90° DOUBLE WALL ELB.	\$58.88	\$48.83	\$52.92	\$57.54
BBVDWE -- 45	45° DOUBLE WALL ELB.	\$37.31	\$33.30	\$38.38	\$42.34
BBVUCM -- 00	UNI-CONNECTOR, MALE	----	\$34.80	\$38.11	\$39.69
BBVUCF -- 00	UNI-CONNECTOR, FEMALE	----	\$34.80	\$38.11	\$39.69

Other sizes are available on request.

For stock numbers, substitute correct size in the stock number.

For example:-

Tee Cap, 8" = BBVTCX	08	00
4" Length 12" Adj.=BBVLENA	4	12

TYPE B GAS VENT PIPE AND FITTINGS



STOCK #	ITEM	PRICE				
		7"	8"	10"	12"	14"
BBVLEN -- 60	CHIMNEY LENGTH x 60"	\$92.61	\$105.71	----	----	----
BBVLEN -- 48	CHIMNEY LENGTH x 48"	\$82.56	\$97.23	\$153.09	\$182.97	\$202.65
BBVLEN -- 36	CHIMNEY LENGTH x 36"	\$63.50	\$71.71	\$126.74	\$146.12	\$158.76
BBVLEN -- 24	CHIMNEY LENGTH x 24"	----	----	\$112.07	\$139.17	----
BBVLEN -- 18	CHIMNEY LENGTH x 18"	\$40.49	\$44.58	\$84.03	\$96.46	\$113.94
BBVLEN -- 12	CHIMNEY LENGTH x 12"	\$31.08	\$37.04	----	----	----
BBVLENA -- 12	CHIMNEY LENGTH x 12" ADJ.	----	----	----	----	----
BBVLENA -- 18	CHIMNEY LENGTH x 18" ADJ.	\$65.48	\$66.15	\$132.30	\$182.57	\$211.68
BBVRCX -- 00	RAIN CAP	\$44.58	\$47.90	\$143.20	\$174.32	\$224.11
BBVSCX -- 00	STORM COLLAR	\$8.74	\$9.78	\$20.23	\$23.33	\$31.08
BBVARF -- 00	ADJ. ROOF FLASHING	\$44.58	\$50.94	\$62.30	\$79.38	\$97.90
BBVTCF -- 00	TALL CONE FLASHING	\$63.24	\$65.48	\$71.60	\$80.93	\$127.01
BBVFSS -- 00	FIRESTOP SPACER	\$12.56	\$12.83	\$15.88	\$21.84	\$31.75
BBVSPA -- 00	SUPPORT PLATE ASSY.	\$28.04	\$31.75	\$37.36	\$46.69	\$60.86
BBVDWT -- 00	DOUBLE WALL TEE	\$99.88	\$111.80	\$171.19	\$217.91	\$317.52
BBVDWY -- 00	DOUBLE WALL WYE	\$115.11	\$132.30	----	----	----
BBVTCX -- 00	TEE CAP	\$9.51	\$11.25	\$19.86	\$26.46	----
BBVDHC -- 00	DRAFT HOOD CONNECTOR	\$19.59	\$24.48	\$45.14	\$52.92	\$66.15
BBVDWE -- 90	90° DOUBLE WALL ELB.	\$74.49	\$90.23	----	----	----
BBVDWE -- 45	45° DOUBLE WALL ELB.	\$54.50	\$60.72	\$125.70	\$143.20	\$198.45
BBVUCM -- 00	UNI-CONNECTOR, MALE	\$42.34	\$43.00	----	----	----
BBVUCF -- 00	UNI-CONNECTOR, FEMALE	\$42.34	\$43.00	----	----	----

Other sizes are available on request.

REDUCING TEE

STOCK #	DESCRIPTION	PRICE
BBVT050504	5 X 5 X 4 DOUBLE WALL REDUCING TEE	\$79.38
BBVT060604	6 X 6 X 4 DOUBLE WALL REDUCING TEE	\$86.70
BBVT070704	7 X 7 X 4 DOUBLE WALL REDUCING TEE	\$104.82



VENTING



System 636
FLUE GAS VENTING



www.alggin.com

CALGARY
4540 46th Avenue SE
(403) 252-0132
sales@alggin.com

EDMONTON
12110 154 St. NW
(780) 424-0132
edmsales@alggin.com

LETHBRIDGE
1126 36 St. N
(403) 320-8732
letsales@alggin.com



Alggin is a distributor of A-vent & specialty chimney products including:

Insulated stainless steel A-Vent chimney.

Applications: Venting of gas and liquid fuel-fired residential appliances and building heating equipment, where the temperature does not exceed 540 degree C (1000 degree F).

Category II, III, IV - AL29-4C factory built chimney.

Applications: Venting of high efficiency, condensing type equipment.

Double wall positive pressure chimney and breaching systems.

Applications: Positive pressure system for venting boilers, kilns, grease duct & emergency generators.

Refractory lined venting systems.

Applications: Acid resistant and high temperature (3100 degree F max) applications such as venting of boilers, furnaces, kilns, incinerators and coal burning appliances, diesel/gas engines, emergency generators, scrubber and heat recovery systems, process equipment & smoke venting and fume incineration.

System 636 PVC - flue gas venting.

Applications: Type BH - Class IIA - Max temp rating of 65 degree C (149 F). Standard ULC S636.

Please contact your Alggin sales representative for further information and all pricing inquiries.

DuraStack® Pro

FasNSeal®



System 636®



DuraVent
Member of & M&G Group

Spunstrand®

STAINLESS STEEL SINGLE WALL SPECIAL GAS VENTING

UL tested and listed to UL1738/S636 Venting Systems for Gas-Burning Appliances, Category II, III, and IV.
File MH 18505.

<u>STOCK #</u>	<u>DESCRIPTION</u>	<u>PRICE / EA</u>
NVNTPIPE301	3" x 1 FT SINGLE WALL NOVA VENT PIPE	\$33.06
NVNTPIPE303	3" x 3 FT SINGLE WALL NOVA VENT PIPE	\$83.19
NVNTPIPE304	3" x 4 FT SINGLE WALL NOVA VENT PIPE	\$111.42
NVNTPIPE401	4" x 1 FT SINGLE WALL NOVA VENT PIPE	\$39.62
NVNTPIPE403	4" x 3 FT SINGLE WALL NOVA VENT PIPE	\$94.01
NVNTTRIMRING3	3" NOVA VENT TRIM RING	\$40.52
NVNTTRIMRING4	4" NOVA VENT TRIM RING	\$54.96
NVNTL345	3" x 45 DEGREE NOVA VENT ELBOW	\$82.96
NVNTL390	3" x 90 DEGREE NOVA VENT ELBOW	\$94.47
NVNTL445	4" x 45 DEGREE NOVA VENT ELBOW	\$87.21
NVNTL490	4" x 90 DEGREE NOVA VENT ELBOW	\$100.13
NVNTWALLTHIM3	3" NOVA VENT WALL THIMBLE	\$92.22
NVNTWALLTHIM4	4" NOVA VENT WALL THIMBLE	\$88.37
NVNTWALLTERM3	3" NOVA VENT WALL TERMINATION BOX	\$73.15
NVNTWALLTERM4	4" NOVA VENT WALL TERMINATION BOX	\$74.95
NVNTHDADAP3	3" NOVA VENT HOT DAWG ADAPTOR	\$37.03
NVNTUNIADAP4	4" NOVA VENT UNIVERSAL ADAPTOR	\$47.74



NOTES:

- 1.) This product is available in sizes of 3" up to 24" in diameter.
- 2.) Also available in a Double Wall model, with a min. 2" clearance to combustibles unenclosed.
- 3.) Many other parts and accessories are available upon request.



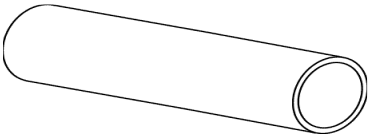

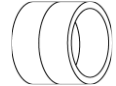
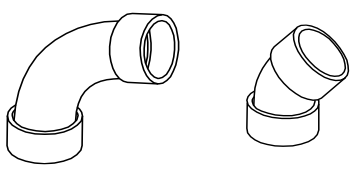
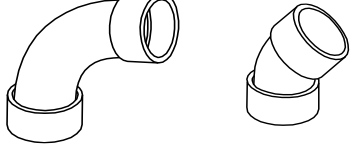
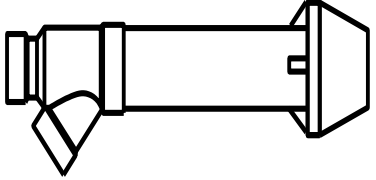
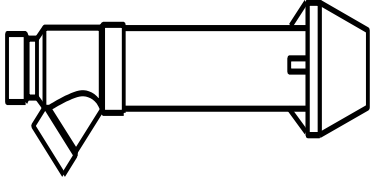

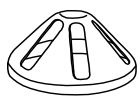
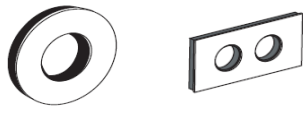

SYSTEM 636 PVC - FLUE GAS VENTING

Type BH - Class II A - Maximum Temperature Rating of 65° C (149° F)

Applicable Standards: ULC S636



System 636®

	<u>STOCK #</u>	<u>DESCRIPTION</u>	<u>PRICE / EA</u>
	PVC210PIPEPE PVC310PIPEPE	2"x10' GAS VENT PIPE - PLAIN END 3"x10' GAS VENT PIPE - PLAIN END	\$50.46 \$117.75
		* All pipe sold in 10' ft. lengths only.	
	PVC2CPLING PVC3CPLING	2" COUPLING - HxH 3" COUPLING - HxH	\$4.18 \$9.38
	PVC323INCRE	2"-3" INCREASER/REDUCER - HxH	\$14.82
	PVC245ELBX PVC345ELBX	2"x45° ELBOW - HxH 3"x45° ELBOW - HxH	\$6.08 \$16.52
	PVC290ELBX PVC2STRELB90 PVC390ELBX PVC3STRELB90	2"x90° LONG ELBOW - HxH 2"x90° STREET ELBOW 3"x90° LONG ELBOW - HxH 3"x90° STREET ELBOW	\$7.30 \$6.17 \$19.22 \$17.45
	PVC2SANITEE PVC3SANITEE	2" SANITARY TEE 3" SANITARY TEE	\$12.29 \$21.97
	PVC2CONVEN PVC3CONVEN	2" CONCENTRIC VENT KIT 3" CONCENTRIC VENT KIT	\$150.37 \$201.89
	PVC2TERMSCRX PVC3TERMSCRX	2" TERMINATION VENT SCREEN 3" TERMINATION VENT SCREEN	\$5.45 \$13.68
	PVCDEBURTOOL	1.5"-3" DEBURING TOOL	\$312.41
	PVC2FACERECT PVC2FACERND PVC3FACERECT PVC3FACERND	2" RECTANGULAR FACE PLATE 2" ROUND FACE PLATE 3" RECTANGULAR FACE PLATE 3" ROUND FACE PLATE	\$41.34 \$23.74 \$41.68 \$29.27
	PVCCEMENTPTX PVCCEMENTQTX PVCPRIMERPTX PVCPRIMERQTX	PVC CEMENT - PINT PVC CEMENT - QUART PVC PRIMER - PINT PVC PRIMER - QUART	\$22.17 \$36.86 \$25.20 \$40.46

NOTE: Additional components, pipe diameters, and temperature ratings are available on request.

IMPORTANT NOTICE: Do not mix pipe, fittings, or cement from different BH vent manufacturers. This can result in unsafe conditions and will void both the certification and product warranty.

SCHEDULE 40 PVC - 3/4" PIPE & FITTINGS - PRICING ON PAGE 7 RESIDENTIAL HEATING AND COOLING

AL29-4C - FasNSeal Single Wall

FasNSeal is for use with natural gas or propane Categories II, III and IV appliances or Canada's Type BH Gas Vent Systems.
ETL Listed to UL 1738 and ULC S636



		FasNSeal								
Pipe		6"	12"	18"	24"	36"				
DVFSVL**4	4" Dia Vent Length	\$53.40	\$64.58	\$90.99	\$117.75	\$144.67				
DVFSVL**5	5" Dia Vent Length	\$70.06	\$74.52	\$111.69	\$131.04	\$171.19				
DVFSVL**6	6" Dia Vent Length	\$78.66	\$86.64	\$129.17	\$149.23	\$200.36				
DVFSVL**8	8" Dia Vent Length	\$103.14	\$125.17	\$188.81	\$207.53	\$298.49				
DVFSCL**10	10" Dia Vent Length	\$118.59	\$178.99	\$232.54	\$293.73	\$468.66				
Elbows		15°	30°	45°	88°	90°				
DVFSSELB**4	4" ** Degree Elbow	\$129.23	\$129.23	\$130.27	\$163.82	\$152.90				
DVFSSELB**5	5" ** Degree Elbow	----	\$148.69	\$149.90	\$193.78	\$180.86				
DVFSSELB**6	6" ** Degree Elbow	----	----	\$183.73	----	\$232.79				
DVFSSELB**8	8" ** Degree Elbow	----	----	\$248.83	----	\$317.31				
DVFSSELB**10	10" ** Degree Elbow	----	----	\$265.41	----	\$353.99				
Fittings		4"	5"	6"	7"	8"	9"	10"	11"	
DVFSAAU**	Appliance Adapter	\$70.42	\$82.53	\$103.83	----	\$130.85	----	\$147.81	----	
DVFSASWDW**	SW to DW Adapter	\$200.24	\$205.37	\$218.68	----	\$234.64	----	\$264.03	----	
DVFSAF**	Tall Cone Flashing	\$240.46	\$291.69	\$376.58	----	\$465.46	----	\$534.81	----	
DVFSBS**	Bird Screen	----	----	\$109.88	----	\$151.40	----	\$187.30	----	
DVFSCL**	Storm Collar	\$53.18	\$53.18	\$53.48	\$62.30	\$62.30	\$80.98	\$93.91	\$99.34	
DVFSCL**	Support Clamp	\$42.17	\$43.97	\$45.59	\$50.11	\$58.87	\$57.67	\$69.43	\$87.95	
DVFSFS**	Firestop	\$60.08	\$60.08	\$64.16	\$70.47	\$78.26	\$86.38	\$94.38	\$106.60	
DVFSIPSDF**	IPS Drain Fitting	\$147.98	\$164.09	\$184.01	----	\$212.57	----	\$234.83	----	
DVFSRC**	Rain Cap	\$174.94	\$236.31	\$249.78	----	\$318.54	----	\$721.63	----	
DVFSWRC04	Severe Weather Cap	\$174.94	----	----	----	----	----	----	----	
DVFSBT**	Boot Tee	\$232.25	\$260.57	\$300.73	----	\$530.69	----	\$772.71	----	
DVFST**	Standard Tee	\$115.91	\$130.05	\$172.04	----	\$265.72	----	\$385.59	----	
DVFSTT**	Termination Tee	\$105.28	\$270.66	\$286.13	----	----	----	----	----	
DVFSTC**	Tee Cap	\$60.15	\$61.42	----	----	----	----	----	----	
DVFSWB**	Wall Bracket	\$204.97	\$241.12	\$242.66	----	\$306.67	----	\$346.69	----	
DVFSWPT**	Wall Pass Through	\$146.31	\$174.52	\$224.60	----	----	----	----	----	
DVFSVRJ**	Roof Jack	\$116.49	\$136.73	\$153.51	----	\$177.98	----	----	----	
DVFSRJ**	Tall Cone Roof Jack	\$116.48	\$136.70	\$153.48	----	\$164.27	----	\$184.25	----	
DVFSVPF**	Var.Pitch Roof Jack	\$127.42	\$138.20	\$183.05	----	\$245.48	----	----	----	
DVFSUCD**	Condensate Drain	\$168.85	\$186.85	\$205.40	----	\$286.88	----	\$328.86	----	

Other sizes available on request

For stock numbers, substitute the correct size in the stock number.

For example

4" 15° Elbow

DVFSSELB154

4" Appliance Adaptor

DVFSAAU04



AL29-4C - FasNSeal - Double Wall

FasNSeal W2

Pipe

		6"	12"	18"	24"	36"
DVW2**06	6" Dia Double Wall Vent Length	\$152.02	\$191.99	\$288.00	\$367.98	\$448.04
DVW2**08	8" Dia Double Wall Vent Length	\$189.35	\$269.33	\$405.35	\$474.68	\$664.01
DVW2**10	10" Dia Double Wall Vent Length	\$210.69	\$344.03	\$503.99	\$608.03	\$832.03

Adjustable

DVW2AVL6	6" Dia Double Wall Adj Vent	\$367.98
DVW2AVL8	8" Dia Double Wall Adj Vent	\$472.03
DVW2AVL10	10" Dia Double Wall Adj Vent	\$605.38

Elbows

		45°	90°
DVW2**06	6" ** Degree Double Wall Elbow	\$282.68	\$384.03
DVW2**08	8" ** Degree Double Wall Elbow	\$408.01	\$482.65
DVW2**10	10" ** Degree Double Wall Elbow	\$602.68	\$712.05

Fittings

		6"	8"	10"
DVW2AAU*	Appliance Adapter	\$162.28	\$208.07	\$270.60
DVW2IPSDF**	IPS Drain Fitting	\$294.41	\$334.65	\$370.78
DVW2RC*	Rain Cap	\$299.22	\$347.19	\$927.49
DVW2WBT*	Boot Tee	\$540.09	\$788.66	\$1,287.86



Other sizes available on request

For stock numbers, substitute the correct size in the stock number.
For example

6" x 6" Double Wall Vent Length DVW2606



FLEXIBLE PIPE & CHIMNEY LINER



www.alggin.com

CALGARY
4540 46th Avenue SE
(403) 252-0132
sales@alggin.com

EDMONTON
12110 154 St. NW
(780) 424-0132
edmsales@alggin.com

LETHBRIDGE
1126 36 St. N
(403) 320-8732
letsales@alggin.com



FLEXIBLE PIPE & CHIMNEY LINER INDEX

ITEM	PAGE
Aluminum Foil Flex – High Pressure	2
Aluminum Foil Flex – FAB 5	2
Gas Connector – Aluminum	4
Gas Chimney Liner – Aluminum	4
Insulated Flex	3
Insulated Sleeve	1
NovaFlex – TPU	3
Rain Cap - Aluminum	4
Triplelock Aluminum – TL	1
Vent Flashing – Galvanized	4
Vinyl Coated Fiberglass Cloth Flex – FAB 4	2

TRIPLE LOCK (T/L) FLEXIBLE ALUMINUM AIR DUCT

10 FOOT LENGTHS

AVAILABLE SIZES: 3" - 24"

ULC APPROVED

TYPE "TL" - DUCT ONLY

<u>STOCK #</u>	<u>SIZE</u>	<u>PRICE/FT</u>
FLEXTL03XX	3"	\$2.74
FLEXTL04XX	4"	\$3.09
FLEXTL05XX	5"	\$3.58
FLEXTL06XX	6"	\$4.23
FLEXTL07XX	7"	\$4.97
FLEXTL08XX	8"	\$5.62
FLEXTL09XX	9"	\$6.87
FLEXTL10XX	10"	\$7.63
FLEXTL12XX	12"	\$9.15
FLEXTL14XX	14"	\$10.66

TRIPLE-LOCK FLEXIBLE METAL DUCTING



T/L
Material: Aluminum
Temperature Range: - 40°F to 600°F
Operating Pressure: High, 12" Static
Bend Radius: 1 1/2 x diameter
Available Sizes: 2" to 24"
Standard Lengths: 10 ft.
ULC Listing: Class 1 Duct Material

INSULATED SLEEVE

10 FOOT LENGTHS

AVAILABLE SIZES: 3" - 24"

ULC APPROVED

<u>STOCK #</u>	<u>SIZE</u>	<u>PRICE/FT</u>
FLEXSLEV03	3"	\$3.65
FLEXSLEV04	4"	\$3.65
FLEXSLEV05	5"	\$3.96
FLEXSLEV06	6"	\$4.50
FLEXSLEV07	7"	\$5.62
FLEXSLEV08	8"	\$6.20
FLEXSLEV09	9"	\$9.07
FLEXSLEV10	10"	\$7.50
FLEXSLEV12	12"	\$7.91
FLEXSLEV14	14"	\$14.06





VINYL COATED FIBERGLASS CLOTH FLEX - FAB "4"

High Pressure

12" Static

ULC APPROVED

<u>STOCK #</u>	<u>SIZE</u>	<u>PRICE/FT</u>
FLEXFAB404	4"	\$4.64
FLEXFAB405	5"	\$5.27
FLEXFAB406	6"	\$6.33
FLEXFAB407	7"	\$7.45
FLEXFAB408	8"	\$8.44
FLEXFAB409	9"	\$10.29
FLEXFAB410	10"	\$11.32
FLEXFAB412	12"	\$13.58
FLEXFAB414	14"	\$15.86
FLEXFAB416	16"	\$18.75
FLEXFAB418	18"	\$21.08



Material: PVC coated fiberglass cloth
Maximum Rated Velocity: 20.3 m/s (4000 fpm)
Maximum Positive Pressure: 3.0 kPa (12 in. WC)
Maximum Negative Pressure: 0.13 kPa (0.5 in. WC)
Temperature Range: -20°F to +250°F (-30° to +120°C)
Bend Radius: 1 x diameter
Available Sizes: 3" to 24"

ALUMINUM FOIL FLEX - FAB "5"

Low/Medium Pressure

6" Static

ULC APPROVED

<u>STOCK #</u>	<u>SIZE</u>	<u>PRICE/FT</u>
FLEXFAB504	4"	\$2.36
FLEXFAB505	5"	\$2.61
FLEXFAB506	6"	\$3.14
FLEXFAB507	7"	\$3.70
FLEXFAB508	8"	\$4.21
FLEXFAB509	9"	\$5.12
FLEXFAB510	10"	\$5.65
FLEXFAB512	12"	\$6.76



Material: Aluminum, foil, fiberglass mesh trilaminate
Maximum Rated Velocity: 20.3 m/s
Maximum Positive Pressure: 1.5 kPa (6 in. WC)
Maximum Negative Pressure: 0.13 kPa (0.5 in. WC)
Temperature Range: -20°F to +250°F (-29°C to +122°C)
Bend Radius: 1 x diameter
Available Sizes: 3" to 24"

ALUMINUM FOIL FLEX

High Pressure

10" Static

25 ft. lengths

<u>STOCK #</u>	<u>SIZE</u>	<u>PRICE/FT</u>	<u>STOCK #</u>	<u>SIZE</u>	<u>PRICE/FT</u>
FLEXLKFL04	4"	\$1.20	FLEXLKFL10	10"	\$2.49
FLEXLKFL05	5"	\$1.44	FLEXLKFL12	12"	\$3.03
FLEXLKFL06	6"	\$1.50	FLEXLKFL14	14"	\$3.39
FLEXLKFL07	7"	\$1.65	FLEXLKFL16	16"	\$3.98
FLEXLKFL08	8"	\$1.84	FLEXLKFL18	18"	\$4.98

INSULATED FLEX

25 ft. lengths

<u>STOCK #</u>	<u>SIZE</u>	<u>PRICE/FT</u>
FLEXTH03XX	3"	\$3.20
FLEXTH04XX	4"	\$2.99
FLEXTH05XX	5"	\$3.34
FLEXTH06XX	6"	\$3.78
FLEXTH07XX	7"	\$4.67
FLEXTH08XX	8"	\$5.10
FLEXTH10XX	10"	\$7.60
FLEXTH12XX	12"	\$9.45



NOVAFLEX - TPU

<u>STOCK #</u>	<u>SIZE</u>	<u>PRICE/FT.</u>
FLXTPU3CUT	3"	\$25.36
FLXTPU4CUT	4"	\$32.83
FLXTPU5CUT	5"	\$59.08
FLXTPU6CUT	6"	\$49.61
FLXTPU7CUT	7"	\$44.51
FLXTPU8CUT	8"	\$59.08





GAS CHIMNEY LINERS - ALUMINUM

<u>SIZE</u>	<u>STOCK #</u>		<u>PRICE/FT.</u>
	<u>25 FT. ROLL</u>	<u>35 FT. ROLL</u>	
3"	FLEXGA0325	FLEXGA0335	\$4.50
4"	FLEXGA0425	FLEXGA0435	\$5.68
5"	FLEXGA0525	FLEXGA0535	\$6.45
6"	FLEXGA0625	FLEXGA0635	\$7.72
7"	FLEXGA0725		\$8.77
8"	FLEXGA0825		\$10.37



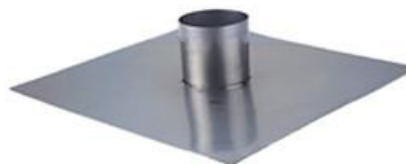
RAIN CAP - ALUMINUM

<u>STOCK #</u>	<u>SIZE</u>	<u>PRICE/EA.</u>
FLEXGARC04	4"	\$40.10
FLEXGARC05	5"	\$42.88
FLEXGARC06	6"	\$45.87
FLEXGARC07	7"	\$51.21
FLEXGARC08	8"	\$54.29



VENT FLASHING - GALVANIZED

<u>STOCK #</u>	<u>SIZE</u>	<u>PRICE/EA.</u>
FLEXGAFL04	4"	\$36.16
FLEXGAFL05	5"	\$38.41
FLEXGAFL06	6"	\$40.93



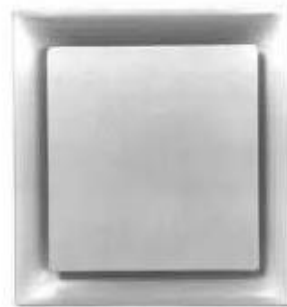
GAS CONNECTOR - ALUMINUM

<u>STOCK #</u>	<u>SIZE</u>	<u>PRICE/EA.</u>
FLEXALUM03	3"	\$8.44
FLEXALUM04	4"	\$9.20
FLEXALUM05	5"	\$11.12
FLEXALUM06	6"	\$11.15





GRILLES - REGISTERS - DIFFUSERS



www.alggin.com

CALGARY
4540 46th Avenue SE
(403) 252-0132
sales@alggin.com

EDMONTON
12110 154 St. NW
(780) 424-0132
edmsales@alggin.com

LETHBRIDGE
1126 36 St. N
(403) 320-8732
letsales@alggin.com



GRILLES – REGISTERS – DIFFUSERS INDEX

ITEM	PAGE
<u>RESIDENTIAL</u>	
Baseboard Grilles	1
Ceiling Registers	3
Ceiling Supply Diffusers	2
Floor Registers	3
Sidewall Grilles	2
Whisper Grilles	1
<u>COMMERCIAL</u>	
Ceiling Supply Diffusers	4
Cross Tee	5
Diffuser Drywall Frame	5
Radial Opposed Blade Dampers	5
<u>NAILOR INDUSTRIES (STEEL Construction)</u>	
Supply Air Grilles (DVX)	6
Supply Air Registers (DVO)	6
Return Air – Exhaust Grilles (ECS)	6
Return Air Grilles (6145H)	7
Aluminum Eggcrate Sheets	6

RESIDENTIAL

BASEBOARD R.A. GRILLE (WHITE)

7/8" PROJECTION

<u>STOCK #</u>	<u>SIZE</u>	<u>PRICE</u>
BGRL1406WT	14" x 6"	\$17.65
BGRL1408WT	14" x 8"	\$23.50
BGRL2406WT	24" x 6"	\$24.50
BGRL2408WT	24" x 8"	\$32.00
BGRL3006WT	30" x 6"	\$30.25
BGRL3008WT	30" x 8"	\$37.25



BASEBOARD R.A. GRILLE 3/4" PROJ. - PLASTIC

<u>STOCK #</u>	<u>SIZE</u>	<u>PRICE</u>	<u>STOCK #</u>	<u>SIZE</u>	<u>PRICE</u>
BGRLP1406W	14" x 6"	\$10.59	BGRLP1208W	12" x 8"	\$13.64
BGRLP2406W	24" x 6"	\$14.57	BGRLP1408W	14" x 8"	\$14.22
BGRLP3006W	30" X 6"	\$16.22	BGRLP2408W	24" x 8"	\$18.36



WHISPER GRILLE

<u>STOCK #</u>	<u>SIZE</u>	<u>PRICE</u>
DIFFHUSH04	4"	\$11.82
DIFFHUSH05	5"	\$13.76
DIFFHUSH06	6"	\$16.34
DIFFHUSH08	8"	\$35.28





SIDEWALL GRILLE - 3/16" METAL PROJECTION (WHITE)

<u>STOCK #</u>	<u>SIZE</u>	<u>PRICE</u>	<u>STOCK #</u>	<u>SIZE</u>	<u>PRICE</u>
SGRL1212WT	12" x 12"	\$76.00	SGRL1608WT	16" x 8"	\$36.25
SGRL1406WT	14" x 6"	\$22.75	SGRL1612WT	16" x 12"	\$83.50
SGRL1408WT	14" x 8"	\$27.00			



SIDEWALL GRILLE - 3/16" PLASTIC PROJECTION (WHITE)

<u>STOCK #</u>	<u>SIZE</u>	<u>PRICE</u>
SGRLP1406WT	14" x 6"	\$9.76
SGRLP2406WT	24" x 6"	\$14.07
SGRLP3006WT	30" x 6"	\$15.57



CEILING SUPPLY DIFFUSERS

DIFFUSER #16

(Round, Step Down, White)

<u>SIZE</u>	<u>STOCK #</u>	<u>PRICE</u>
6"	DIFF160006	\$20.95
8"	DIFF160008	\$23.75
10"	DIFF160010	\$29.75
12"	DIFF160012	\$39.50

DAMPER #12

<u>STOCK #</u>	<u>PRICE</u>
DAMPER1206	\$33.00
DAMPER1208	\$33.65
DAMPER1210	\$41.40
DAMPER1212	\$57.00



FLOOR REGISTER - METAL

<u>SIZE</u>	BEIGE <u>STOCK #</u>	WHITE <u>STOCK #</u>	PRICE <u>EACH</u>
2 1/4" x 10"	DIFF2410BG	DIFF2410WT	\$6.38
2 1/4" x 12"	DIFF2412BG	DIFF2412WT	\$6.96
3" x 10"	DIFF0310BG	DIFF0310WT	\$8.31
4" x 10"	DIFF0410BG	DIFF0410WT	\$8.84



<u>SIZE</u>	BROWN <u>STOCK #</u>	PRICE <u>EACH</u>
2 1/4" x 10"	DIFF2410BR	\$20.75
2 1/4" x 12"	DIFF2412BR	\$18.75
3" x 10"	DIFF0310BR	\$12.75
4" x 10"	DIFF0410BR	\$13.25

FLOOR REGISTER - PLASTIC

<u>STOCK #</u>	<u>COLOUR</u>	PRICE <u>EACH</u>
<u>3" X 10"</u>		
DIFFP0310W	WHITE	\$5.19
DIFFP0310T	TAUPE	\$5.19
DIFFP0310B	BROWN	\$5.19
DIFFP0310BL	BLACK	\$5.42
DIFFP0310G	GREY	\$5.42
<u>4" X 10"</u>		
DIFFP0410W	WHITE	\$5.19
DIFFP0410T	TAUPE	\$5.19
DIFFP0410B	BROWN	\$5.19
DIFFP0410BL	BLACK	\$5.72
DIFFP0410G	GREY	\$5.72



CEILING REGISTER (WHITE)

<u>STOCK #</u>	<u>SIZE</u>	PRICE <u>EACH</u>
CDIF0310WT	3" x 10"	\$15.85
CDIF0410WT	4" x 10"	\$16.75

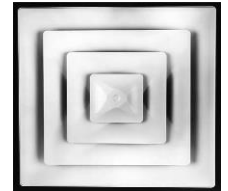




COMMERCIAL

CEILING SUPPLY DIFFUSERS (FIXED PATTERN - 4 CONE)

<u>STOCK #</u>	<u>MODEL #</u>	<u>DESCRIPTION</u>	<u>PRICE</u>
RNSL4CONE1206	RNSL4CONE 1206	12" x 12" FACE - 6" INLET	\$42.64
RNSL4CONE1208	RNSL4CONE 1208	12" x 12" FACE - 8" INLET	\$42.64
RNSL4CONE2406	RNSL4CONE 2406	24" x 24" FACE - 6" INLET	\$64.61
RNSL4CONE2408	RNSL4CONE 2408	24" x 24" FACE - 8" INLET	\$64.61
RNSL4CONE2410	RNSL4CONE 2410	24" x 24" FACE - 10" INLET	\$64.61
RNSL4CONE2412	RNSL4CONE 2412	24" x 24" FACE - 12" INLET	\$64.61
RNSL4CONE2414	RNSL4CONE 2414	24" x 24" FACE - 14" INLET	\$64.61



CEILING SUPPLY DIFFUSERS (FIXED PATTERN - 3 CONE)

<u>STOCK #</u>	<u>MODEL #</u>	<u>DESCRIPTION</u>	<u>PRICE</u>
RNSL3CONE2406	RNSL3CONE 2406	24" x 24" FACE - 6" INLET	\$49.10
RNSL3CONE2408	RNSL3CONE 2408	24" x 24" FACE - 8" INLET	\$49.10
RNSL3CONE2410	RNSL3CONE 2410	24" x 24" FACE - 10" INLET	\$49.10
RNSL3CONE2412	RNSL3CONE 2412	24" x 24" FACE - 12" INLET	\$49.10
RNSL3CONE2414	RNSL3CONE 2414	24" x 24" FACE - 14" INLET	\$49.10



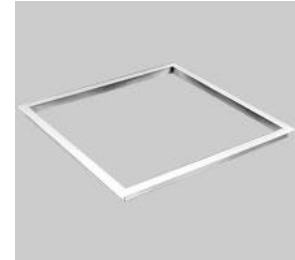
CEILING SUPPLY DIFFUSERS (FLAT PANEL)

<u>STOCK #</u>	<u>MODEL #</u>	<u>DESCRIPTION</u>	<u>PRICE</u>
UNI2406	UNI 2406	24" x 24" FACE - 6" INLET	\$71.79
UNI2408	UNI 2408	24" x 24" FACE - 8" INLET	\$71.79
UNI2410	UNI 2410	24" x 24" FACE - 10" INLET	\$71.79
UNI2412	UNI 2412	24" x 24" FACE - 12" INLET	\$71.79
UNI2414	UNI 2414	24" x 24" FACE - 14" INLET	\$71.79



DIFFUSER DRYWALL FRAMES

<u>STOCK #</u>	<u>DESCRIPTION</u>	<u>PRICE</u>
RNSLFRAM12	DIFFUSER DRYWALL FRAME - 12" X 12"	\$32.97
RNSLFRAM24	DIFFUSER DRYWALL FRAME - 24" X 24"	\$49.46



CROSS TEE

<u>STOCK #</u>	<u>DESCRIPTION</u>	<u>PRICE</u>
TBARCROSST24	24" CROSS TEE	\$6.46

RADIAL OPPOSED BLADE DAMPERS

<u>STOCK #</u>	<u>SIZE</u>	<u>PRICE</u>
ROBD427506	6"	\$32.97
ROBD427508	8"	\$33.76
ROBD427510	10"	\$40.82
ROBD427512	12"	\$48.67





NAILOR INDUSTRIES
 (STEEL CONSTRUCTION)

SUPPLY AIR "GRILLE"

<u>SIZE</u>	<u>STOCK #</u>	<u>PRICE</u>
8" x 6"	61DVXSA086	\$45.18
10" x 4"	61DVXSA104	\$45.18
10" x 6"	61DVXSA106	\$51.61
10" x 8"	61DVXSA108	\$51.61
12" x 4"	61DVXSA124	\$51.61
12" x 6"	61DVXSA126	\$51.60
12" x 8"	61DVXSA128	\$58.07
14" x 6"	61DVXSA146	\$58.07
14" x 8"	61DVXSA148	\$61.29
16" x 8"	61DVXSA168	\$67.75

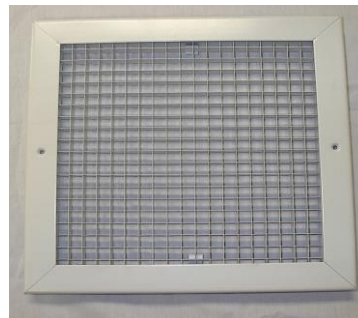
SUPPLY AIR "REGISTER"

<u>SIZE</u>	<u>STOCK #</u>	<u>PRICE</u>
8" x 6"	61DVOSA086	\$61.29
10" x 4"	61DVOSA104	\$61.29
10" x 6"	61DVOSA106	\$67.75
10" x 8"	61DVOSA108	\$74.21
12" x 4"	61DVOSA124	\$67.75
12" x 6"	61DVOSA126	\$74.21
12" x 8"	61DVOSA128	\$83.87
14" x 6"	61DVOSA146	\$83.87
14" x 8"	61DVOSA148	\$90.33
16" x 8"	61DVOSA168	\$96.78



RETURN AIR/EXHAUST GRILLE - EGGCRATE (WHITE)

<u>SIZE</u>	<u>STOCK #</u>	<u>PRICE</u>
6" X 6"	61ECS0606W	\$22.58
8" X 8"	61ECS0808W	\$29.03
10" X 10"	61ECS1010W	\$35.49
12" X 12"	61ECS1212W	\$45.18
14" X 14"	61ECS1414W	\$61.29
16" X 16"	61ECS1616W	\$70.98
18" X 18"	61ECS1818W	\$77.44
24" X 12"	61ECS2412W	\$77.44
24" X 24"	61ECS2424W	\$132.27



ALUMINUM EGGCRATE SHEETS

<u>STOCK #</u>	<u>DESCRIPTION</u>	<u>PRICE</u>
EGGALUMWHT	ALUMINUM EGGCRATE 24" x 48" - WHITE	\$74.08

RETURN AIR GRILLE (WHITE)

<u>SIZE</u>	<u>STOCK #</u>	<u>PRICE</u>
10" x 6"	6145H1006W	\$35.49
12" x 6"	6145H1206W	\$35.49
12" x 8"	6145H1208W	\$41.95
12" x 10"	6145H1210W	\$41.95
12" x 12"	6145H1212W	\$45.18
14" x 6"	6145H1406W	\$41.95
14" x 8"	6145H1408W	\$41.95
14" x 10"	6145H1410W	\$45.18
14" x 12"	6145H1412W	\$51.61
14" x 14"	6145H1414W	\$58.07
16" x 8"	6145H1608W	\$45.18
16" x 10"	6145H1610W	\$51.61
16" x 12"	6145H1612W	\$58.07
16" x 16"	6145H1616W	\$67.75
18" x 10"	6145H1810W	\$58.07
18" x 12"	6145H1812W	\$58.07
24" x 12"	6145H2412W	\$67.75
24" x 18"	6145H2418W	\$103.24
30" x 12"	6145H3012W	\$90.33
30" x 18"	6145H3018W	\$129.05



MANY OTHER TYPES AND SIZES OF GRILLES AND REGISTERS ARE AVAILABLE. PLEASE CALL YOUR ALGGIN REPRESENTATIVE FOR ADDITIONAL INFORMATION AND PRICING.



TOOLS



www.alggin.com

CALGARY
4540 46th Avenue SE
(403) 252-0132
sales@alggin.com

EDMONTON
12110 154 St. NW
(780) 424-0132
edmsales@alggin.com

LETHBRIDGE
1126 36 St. N
(403) 320-8732
letsales@alggin.com



TOOLS INDEX

ITEM	PAGE
Apron	6
Caulking Gun	6
Chucks – Robertson	5
Chuck Drivers	5
Crimper	3
Drill Bits	6
Duct Slicer	2
Duct Stretchers	3
Felt Pen	6
Folding Tools	3
Hammer – Setting	2
Hammer – Wooden Mallet	2
Hand Notcher	3
Hand Seamers & Pliers	3
Hole Cutter	4
Knives	5
Measuring Tapes	5
Paint Brushes	6
Radius Dividers	4
Reciprocating Saw Blades	6
Scratch Awls	2
Screw Drivers	2
Scribers	2
Snap Lock Punch	3
Snips	1
Tie Tools, Strap	4
Turbo Shear	5
Wire Rope Cutter	4

MALCO SNIPS

<u>STOCK #</u>	<u>MODEL #</u>	<u>DESCRIPTION</u>	<u>PRICE</u>
<u>ERGONOMIC GRIP</u>			
TOOLM2006X	M2006	OFFSET - LEFT CUT	\$94.83
TOOLM2007X	M2007	OFFSET - RIGHT CUT	\$94.83



<u>ALUMINUM</u>			
TOOLM14XXX	M14	14" ALUMINUM STRAIGHT SNIP	\$92.75
TOOLMC14XX	MC14	14" ALUMINUM COMBINATION SNIP	\$103.99
TOOLMC12RB	MC12RB	REPLACEMENT BLADE FOR MC12	\$48.04
TOOLMC14RB	MC14RB	REPLACEMENT BLADE FOR MC14	\$52.44



<u>OTHER</u>			
TOOLM9XXXX	M9	REGULAR PATTERN	\$73.22
TOOLM15XXX	M15	BULLDOG PATTERN	\$181.82



KLEIN SNIPS

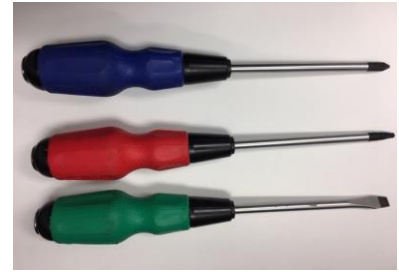
<u>STOCK #</u>	<u>CUT</u>	<u>DESCRIPTION</u>	<u>PRICE</u>
TOOL1200L	LEFT	KLEIN JOURNEYMAN AVIATION SNIP	\$36.67
TOOL1201R	RIGHT	KLEIN JOURNEYMAN AVIATION SNIP	\$36.67
TOOL1202S	STRAIGHT	KLEIN JOURNEYMAN AVIATION SNIP	\$38.20





SCREW DRIVERS

<u>STOCK #</u>	<u>DESCRIPTION</u>	<u>PRICE</u>
TOOL2PHIL	#2 PHILLIPS SCREW DRIVER	\$28.84
TOOL8ROB	#8 ROBERTSON SCREW DRIVER	\$22.62
TOOLS DRIVE	SMALL SLOT SCREW DRIVER	\$17.39



DUCT SLICER

<u>STOCK #</u>	<u>DESCRIPTION</u>	<u>PRICE</u>
TOOLSLICER	CAIN DUCT SLICER	\$39.48



SCRATCH AWLS

<u>STOCK #</u>	<u>MODEL #</u>	<u>DESCRIPTION</u>	<u>PRICE</u>
TOOLA0XXXX	A0	REGULAR GRIP - 1/8" BLADE	\$8.81
TOOLA20XXX	A20	REGULAR GRIP - 1/4" BLADE	\$17.41
TOOLA1XXXX	A1	LARGE GRIP - 7/32" BLADE	\$9.55
TOOLA2XXXX	A2	LARGE GRIP - 1/4" BLADE	\$16.38
TOOLA3XXXX	A3	LARGE GRIP - 3/8" BLADE	\$25.54



SCRIBERS

<u>STOCK #</u>	<u>MODEL #</u>	<u>DESCRIPTION</u>	<u>PRICE</u>
TOOLA50XXX	A50	CARBIDE TIPPED SCRIBER	\$46.94
TOOLA50RXX	A50R	TIP FOR A50 SCRIBER	\$24.71
TOOLA60XXX	A60	SCRIBER	\$40.50



HAMMERS, MALLET

<u>STOCK #</u>	<u>MODEL #</u>	<u>DESCRIPTION</u>	<u>PRICE</u>
TOOLSH3XXX	SH 3	18 OZ. SETTING HAMMER	\$136.83
TOOLWM502X		WOOD MALLET	\$76.73



DUCT STRETCHERS

<u>STOCK #</u>	<u>MODEL #</u>	<u>DESCRIPTION</u>	<u>PRICE</u>
TOOLDS3XXX	DS3	LOCKING DUCT STRETCHER	\$88.68



HAND NOTCHER

<u>STOCK #</u>	<u>DESCRIPTION</u>	<u>PRICE</u>
TOOLNOTCH	HAND NOTCHER DEEP	\$81.90



CRIMPER

<u>STOCK #</u>	<u>MODEL #</u>	<u>DESCRIPTION</u>	<u>PRICE</u>
TOOLCRIMP	C5	5 BLADE HAND CRIMPER	\$67.95



SNAP LOCK PUNCH

<u>STOCK #</u>	<u>MODEL #</u>	<u>DESCRIPTION</u>	<u>PRICE</u>
TOOLSL1XXX	SL 1	SNAP LOCK PUNCH	\$137.66
TOOLSL2XXX	SL 2	SNAP LOCK PUNCH-COMPOUND	\$106.89



HAND SEAMERS & PLIERS

<u>STOCK #</u>	<u>MODEL #</u>	<u>DESCRIPTION</u>	<u>PRICE</u>
TOOL535XXX	535	3" HAND SEAMER	\$111.70



FOLDING TOOLS

<u>STOCK #</u>	<u>MODEL #</u>	<u>DESCRIPTION</u>	<u>PRICE</u>
TOOL12FXXX	12F	12" FOLDING TOOL 3/8", 1"	\$37.48
TOOL18FXXX	18F	18" FOLDING TOOL 3/8", 1"	\$52.32
TOOL24FXXX	24F	24" FOLDING TOOL 3/8", 1"	\$69.28





RADIUS DIVIDERS

<u>STOCK #</u>	<u>MODEL #</u>	<u>DESCRIPTION</u>	<u>PRICE</u>
TOOL18XXXX	#18	18" RADIUS DIVIDER	\$39.69
TOOLRP2XXX	RP 2	DIVIDER POINTS	\$6.41



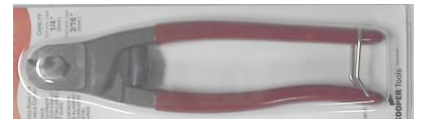
TIE TOOLS, STRAP

<u>STOCK #</u>	<u>MODEL #</u>	<u>DESCRIPTION</u>	<u>PRICE</u>
TOOLTY4GXX	TY 4G	TIE TOOL - STANDARD GRIP	\$102.46
TOOLTY6XXX	TY6	TIE TOOL - ADJ./AUTO CUT OFF	\$134.38



WIRE ROPE CUTTER

<u>STOCK #</u>	<u>DESCRIPTION</u>	<u>PRICE</u>
TOOLWIRECU	WIRE CUTTER	\$145.67



HOLE CUTTER

<u>STOCK #</u>	<u>DESCRIPTION</u>	<u>PRICE</u>
TOOLHC1	2" - 12" ROUND HOLES	\$169.52



MEASURING TAPES

<u>STOCK #</u>	<u>DESCRIPTION</u>	<u>PRICE</u>
TOOLTAPE25	KLEIN 25' TAPE MEASURE	\$40.34



KNIVES

<u>STOCK #</u>	<u>DESCRIPTION</u>	<u>PRICE</u>
TOOLUKNIFE	UTILITY KNIFE	\$17.01
TOOLDK06	DUCT KNIFE	\$38.01



TURBO SHEAR

<u>STOCK #</u>	<u>MODEL #</u>	<u>DESCRIPTION</u>	<u>PRICE</u>
TOOLTS1XXX	TS1	TURBO SHEAR	\$140.97
TOOLTS1RBX	TS1RB	REPLACEMENT BLADES - TS1	\$74.43
TOOLTSHDXX	TSHD	TURBO SHEAR - HEAVY DUTY	\$260.04
TOOLTSHDRB	TSHDRB	REPLACEMENT BLADES - HD	\$111.86



CHUCK DRIVERS

<u>STOCK #</u>	<u>MODEL #</u>	<u>DESCRIPTION</u>	<u>PRICE</u>
TOOLMSH14X	MSH 1/4	1/4" HEX CHUCK DRIVER	\$8.16
TOOLMSHL14	MSHL 1/4	1/4" HEX CHUCK DRIVER - LONG	\$8.52
TOOLMSH516	MSH 5/16	5/16" HEX CHUCK DRIVER	\$8.74
TOOLMSHC	MSHC	2" MAGNETIC HEX DRIVER 1/4" and 5/16"	\$15.81
TOOLMSHC1	MSHC1	2" MAGNETIC HEX DRIVER 5/16" and 3/8"	\$18.26



CHUCKS - ROBERTSON

<u>STOCK #</u>	<u>DESCRIPTION</u>	<u>LENGTH</u>	<u>PRICE</u>
ROBCHU08X2	ROBERTSON BIT #8	2"	\$4.21
ROBCHU08X3	ROBERTSON BIT #8	3"	\$6.96



DRILL BITS

<u>STOCK #</u>	<u>DESCRIPTION</u>	<u>PRICE</u>
TOOLBIT18X	1/8" TOOL BIT	\$3.65
TOOLBIT532	5/32" TOOL BIT	\$4.59
TOOLBIT316	3/16" TOOL BIT	\$5.17
TOOLBIT14X	1/4" TOOL BIT	\$7.96
TOOLBIT516	5/16" TOOL BIT	\$11.67
TOOLBIT38X	3/8" TOOL BIT	\$16.13
TOOLBIT12X	1/2" TOOL BIT	\$27.59
TOOLBSDS14	SDS PLUS DRILL BIT 1/4"	\$11.94
TOOLBSDS38	SDS PLUS DRILL BIT 3/8"	\$17.64
TOOLBSDS12	SDS PLUS DRILL BIT 1/2"	\$19.81



RECIPROCATING SAW BLADES

5 BLADES PER PACK

<u>STOCK #</u>	<u>MODEL #</u>	<u>PRICE</u>
TOOL12KH8X	12 KH 8	\$78.49
TOOL3MC24X	3 MC 24	\$27.73
TOOL4DL6XX	4 DL 6	\$45.96
TOOL4GT7XX	4 GT 7	\$35.86
TOOL4GT10X	4 GT 10	\$35.86
TOOL4KH6XX	4 KH 6	\$43.90
TOOL4KH8XX	4 KH 8	\$43.90
TOOL4MC24X	4 MC 24	\$35.86
TOOL4P6XXX	4P6	\$39.88
TOOL4TF14X	4 TF 14	\$35.86
TOOL4TF18X	4 TF 18	\$35.86
TOOL8KH7XX	8 KH 7	\$56.07
TOOL9MC10X	9 MC 10	\$61.39



CAULKING GUN

<u>STOCK #</u>	<u>MODEL #</u>	<u>DESCRIPTION</u>	<u>PRICE</u>
TOOLCG10XX	CG10	CAULKING GUN	\$13.54



MISCELLANEOUS

<u>STOCK #</u>	<u>DESCRIPTION</u>	<u>PRICE</u>
BRUSHPAINT15	PAINT BRUSH	\$9.80
BRUSHCHIP2	CHIP BRUSH	\$4.23
FELTPEN	FELT PEN	\$3.43



FANS



www.alggin.com

CALGARY
4540 46th Avenue SE
(403) 252-0132
sales@alggin.com

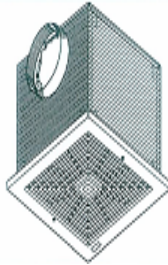
EDMONTON
12110 154 St. NW
(780) 424-0132
edmsales@alggin.com

LETHBRIDGE
1126 36 St. N
(403) 320-8732
letsales@alggin.com



CEILING CABINET FANS - COMMERCIAL

<u>STOCK #</u>	<u>MODEL #</u>	<u>DESCRIPTION</u>	<u>PRICE</u>
FANL100XXX	L100	0.9 SONES @ 109 CFM, @ 0.125"	\$550.00
FANL150XXX	L150	1.5 SONES @ 157 CFM, @ 0.125"	\$580.00
FANL200XXX	L200	1.7 SONES @ 210 CFM, @ 0.125"	\$645.00
FANL250XXX	L250	2.2 SONES @ 259 CFM, @ 0.125"	\$690.00
FANL300XXX	L300	2.7 SONES @ 300 CFM, @ 0.125"	\$695.00
FANL400XXX	L400	2.3 SONES @ 430 CFM, @ 0.125"	\$1,125.00
FANL500XXX	L500	3.3 SONES @ 510 CFM, @ 0.125"	\$1,360.00



IN-LINE ADAPTOR KIT

<u>STOCK #</u>	<u>MODEL #</u>	<u>DESCRIPTION</u>	<u>PRICE</u>
FAN961LXXX	961L	KIT FOR USE WITH L100 & L150 FANS	\$79.37
FAN982LXXX	982L	KIT FOR USE WITH L400, L500 & L700 FANS	\$106.25

OTHER FANS ARE AVAILABLE. CALL YOUR ALGGIN REPRESENTATIVE FOR INFORMATION.

CONTROLS

<u>STOCK #</u>	<u>MODEL #</u>	<u>DESCRIPTION</u>	<u>PRICE</u>
FANSC15	SC15	SPEED CONTROL - 5 AMP	\$93.10



INLINE CENTRIFUGAL DUCT FANS

<u>STOCK #</u>	<u>MODEL #</u>	<u>DESCRIPTION</u>	<u>PRICE</u>
FANPV100X	PV-100x	4" inline fan - 153 cfm	\$441.06
FANPV125X	PV-125x	5" inline fan - 206 cfm	\$444.55
FANPV150X	PV-150x	6" inline fan - 438 cfm	\$537.65
FANPV200X	PV-200x	8" inline fan - 544 cfm	\$700.58
FANPV250X	PV-250x	10" inline fan - 618 cfm	\$826.27
FANPV315X	PV-315x	12" inline fan - 942 cfm	\$1,117.33

INLINE MIXED FLOW DUCT FANS

<u>STOCK #</u>	<u>MODEL #</u>	<u>DESCRIPTION</u>	<u>PRICE</u>
FANTD100X	TD-100X	4" inline fan turbo - 100 - 135 CFM	\$314.21
FANTD125	TD-125	5" inline fan turbo - 149 - 197 CFM	\$359.59

LINT TRAP

<u>STOCK #</u>	<u>MODEL #</u>	<u>DESCRIPTION</u>	<u>PRICE</u>
LINTTRAP	LT-180	4" x 4" complete lint trap	\$72.00

INLINE DRYER BOOSTER FANS

<u>STOCK #</u>	<u>MODEL #</u>	<u>DESCRIPTION</u>	<u>PRICE</u>
FANDBF100XC	DBF-100xc	4" dryer booster fan w/ high current sensor	\$622.61
FANPV100XPS	PV-100XPS	4" dryer booster fan w/ pressure switch	\$622.61



WALL EXHAUST SHUTTER FANS

<u>STOCK #</u>	<u>MODEL #</u>	<u>DESCRIPTION</u>	<u>PRICE</u>
FANS102XXX	S10-2	10" wall fan w/ shutters - 570 cfm - two speed motor	\$520.20
FANS12VXXX	S12-V	12" wall fan w/ shutters - 1525 cfm - variable spd. motor	\$942.64
FANS16VXXX	S16-V	16" wall fan w/ shutters - 2210 cfm - variable spd. motor	\$977.55
FANS18VXXX	S18-V	18" wall fan w/ shutters - 2980 cfm - variable spd. motor	\$1,171.90
FANS24VXXX	S24-V	24" wall fan w/ shutters - 5180 cfm - variable spd. motor	\$1,368.57

* fan performances based on 0.125" static pressure



PC SERIES BATH FANS

<u>STOCK #</u>	<u>MODEL #</u>	<u>DESCRIPTION</u>	<u>PRICE</u>
FANPC80XP	PC80XP	Single Speed 80 CFM 0.4 Sones	\$254.92
FANPC110XP	PC110XP	Single Speed 110 CFM 0.3 sones	\$254.86
FANPCV50	PCV50	Value Series 50 CFM 2 sones	\$118.70
FANPCV80	PCV80	Value Series 80 CFM 1.7 sones	\$181.55
FANPCLP80XP	PCLP80	Low Profile 80 CFM 3.75" X 4" 1.2 sones	\$201.33
FANPCD80XH	PCD80XH	2 Spd 80/40 CFM w/humid sensor 0.3/1.5 sones	\$275.23

PC SERIES ACCESSORIES

<u>STOCK #</u>	<u>MODEL #</u>	<u>DESCRIPTION</u>	<u>PRICE</u>
FANPCHSP	PCHSP	Plug & Play Humidity Sensor Kit	\$85.91
FANPCLEDKP	PCLEDK	Plug & Play LED Light Kit	\$266.43

RADON MITIGATION

<u>STOCK #</u>	<u>MODEL #</u>	<u>DESCRIPTION</u>	<u>PRICE</u>
FANPRF100	PRF-100	4" Radon Mitigation Fan	\$367.81



BATH FANS

<u>STOCK #</u>	<u>MODEL #</u>	<u>DESCRIPTION</u>	<u>PRICE</u>
FANBPT1213H	BPT12-13H	Canarm 70 CFM - 1 Sone	\$149.84
FANBPT1834A1	BPT18-34A-1	Canarm 110 CFM - 1 Sone	\$238.44
FANITG80	ITG80	DELTA BreezINTEGRITY 80 CFM	\$106.44

AlggIn is a distributor for several quality fan manufacturers:

**Canarm/Leader Fan Industries Limited/Delhi Industries
Reversomatic Heating & Manufacturing
Soler & Palau Canada**

AlggIn also represents the Greentek line of residential and commercial HRV and ERV equipment.



For pricing on stocked HRV's see page 8
in Residential Heating & Cooling and page 8
in Commercial Heating & Cooling

What ever your ventilation requirements, AlggIn has a fan to suit your application.
Please contact your local AlggIn representative for sizing, pricing, and availability.



LOUVERS & DAMPERS



www.alggin.com

CALGARY
4540 46th Avenue SE
(403) 252-0132
sales@alggin.com

EDMONTON
12110 154 St. NW
(780) 424-0132
edmsales@alggin.com

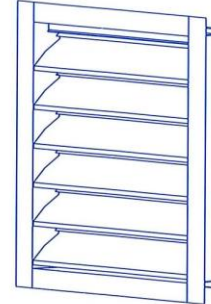
LETHBRIDGE
1126 36 St. N
(403) 320-8732
letsales@alggin.com



EXTRUDED ALUMINUM STATIONARY LOUVERS

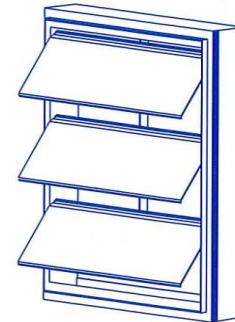
<u>STOCK#</u>	<u>DESCRIPTION</u>	<u>PRICE</u>
LOUVRE222512	12" x 12" - 2" deep aluminum louver	\$86.53
LOUVRE222514	14" x 14" - 2" deep aluminum louver	\$136.77
LOUVRE222516	16" x 16" - 2" deep aluminum louver	\$136.77
LOUVRE222518	18" x 18" - 2" deep aluminum louver	\$193.99
LOUVRE222520	20" x 20" - 2" deep aluminum louver	\$193.99
LOUVRE222524	24" x 24" - 2" deep aluminum louver	\$248.42

* louvers stocked in standard mill finish



ALUMINUM BACK DRAFT DAMPERS

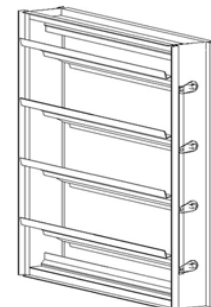
<u>STOCK#</u>	<u>DESCRIPTION</u>	<u>PRICE</u>
DAMPERBDDDDM12	12" x 12" aluminum BDD - duct mount	\$104.67
DAMPERBDDDDM14	14" x 14" aluminum BDD - duct mount	\$135.38
DAMPERBDDDDM16	16" x 16" aluminum BDD - duct mount	\$135.38
DAMPERBDDDDM18	18" x 18" aluminum BDD - duct mount	\$174.45
DAMPERBDDDDM20	20" x 20" aluminum BDD - duct mount	\$174.45
DAMPERBDDDDM24	24" x 24" aluminum BDD - duct mount	\$244.23



<u>STOCK#</u>	<u>DESCRIPTION</u>	<u>PRICE</u>
DAMPERBDDFFM12	12" x 12" aluminum BDD - flange mount	\$104.67
DAMPERBDDFFM14	14" x 14" aluminum BDD - flange mount	\$135.38
DAMPERBDDFFM16	16" x 16" aluminum BDD - flange mount	\$135.38
DAMPERBDDFFM18	18" x 18" aluminum BDD - flange mount	\$174.45
DAMPERBDDFFM20	20" x 20" aluminum BDD - flange mount	\$174.45
DAMPERBDDFFM24	24" x 24" aluminum BDD - flange mount	\$244.23

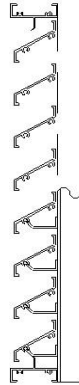
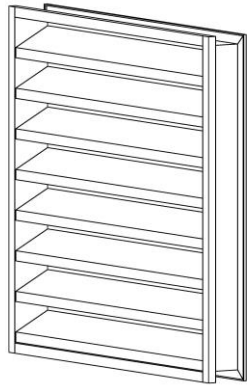
LOW LEAKAGE STEEL CONTROL DAMPERS

<u>STOCK#</u>	<u>DESCRIPTION</u>	<u>PRICE</u>
DAMPER410012	12" x 12" parallel blade control damper	\$198.18
DAMPER410014	14" x 14" parallel blade control damper	\$252.61
DAMPER410016	16" x 16" parallel blade control damper	\$252.61
DAMPER410018	18" x 18" parallel blade control damper	\$320.99
DAMPER410020	20" x 20" parallel blade control damper	\$320.99
DAMPER410024	24" x 24" parallel blade control damper	\$386.59



See our complete line of Honeywell actuators on page 3 of the Miscellaneous section

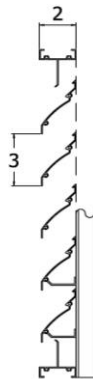
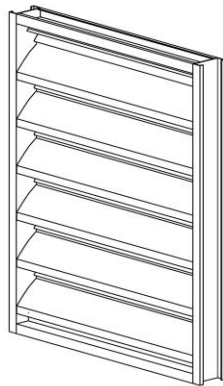
Model 2210 - 2 Inch Extruded Aluminum Stationary EXHAUST Louver



STANDARD CONSTRUCTION

Depth:	2 inches (50mm)
Frame Style:	Specify 2210 for channel frame Specify 2215 for flange frame
Frame Thickness:	0.063" 6063-T5 extruded alum.
Blade Thickness:	0.063" 6063-T5 extruded alum.
Blade Centers:	2 inches (50mm)
Blade Angles:	30 degrees
Minimum Height:	6 inches (152 mm)
Max Panel Width:	72 inches (1829 mm)
Max Panel Height:	72 inches (1829 mm)
Standard Finish:	Mill
Standard Birdscreen:	1/2" x 1/2" Galvanized

Model 2220 - 2 Inch Extruded Aluminum Stationary Stormproof INTAKE Louver



STANDARD CONSTRUCTION

Depth:	2 inches (50mm)
Frame Style:	Specify 2220 for channel frame Specify 2225 for flange frame
Frame Thickness:	0.063" 6063-T5 extruded alum.
Blade Thickness:	0.063" 6063-T5 extruded alum.
Blade Centers:	3 inches (76mm)
Blade Angles:	45 degrees
Minimum Height:	6 inches (152 mm)
Max Panel Width:	72 inches (1829 mm)
Max Panel Height:	72 inches (1829 mm)
Standard Finish:	Mill
Standard Birdscreen:	1/2" x 1/2" Galvanized

AVAILABLE ACCESSORIES

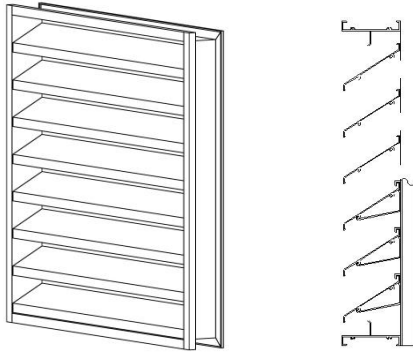
Bird Screen:	1/4 x 1/4 inter crimped aluminum 1/2 x 1/2 inter crimped aluminum
Insect Screen:	18 x 14 Mesh
Finish:	Mill Finish (standard) Baked enamel
Anodized Finish:	Clear, Light Bronze, Medium Bronze & Dark Bronze

- Aluminum blank off panel
- 1" or 2" insulated blank off panel
- Hinged frame
- All welded construction
- Hinged frame and access door
- Security bars
- Extended sills
- Extended sleeves
- Filter racks
- Custom geometric shapes

***** Contact your AlggIn representative for pricing and availability *****



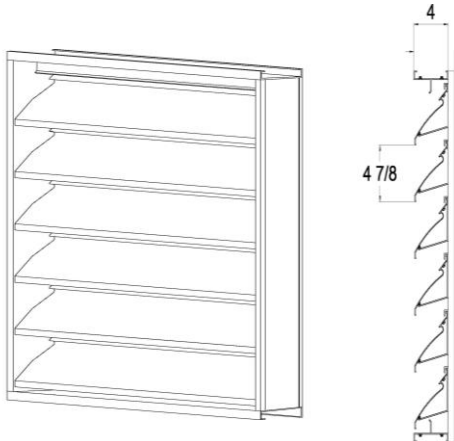
Model 2410 - 4 Inch Extruded Aluminum Stationary EXHAUST Louver



STANDARD CONSTRUCTION

Depth:	4 inches (100mm)
Frame Style:	Specify 2410 for channel frame Specify 2415 for flange frame
Frame Thickness:	0.081" 6063-T5 extruded alum.
Blade Thickness:	0.081" 6063-T5 extruded alum.
Blade Centers:	3.5 inches (89mm)
Blade Angles:	35 degrees
Minimum Height:	12 inches (305 mm)
Max Panel Width:	72 inches (1829 mm)
Max Panel Height:	144 inches (3650 mm)
Standard Finish:	Mill
Standard Birdscreen:	1/2" x 1/2" Galvanized

Model 2420 - 4 Inch Extruded Aluminum Stationary Stormproof INTAKE Louver



STANDARD CONSTRUCTION

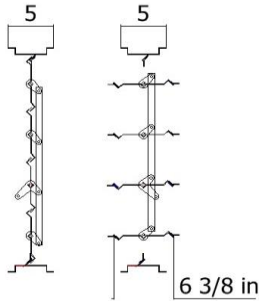
Depth:	4 inches (100mm)
Frame Style:	Specify 2420 for channel frame Specify 2425 for flange frame
Frame Thickness:	0.081" 6063-T5 extruded alum.
Blade Thickness:	0.081" 6063-T5 extruded alum.
Blade Centers:	4 7/8 inches (124mm)
Blade Angles:	45 degrees
Minimum Height:	12 inches (305 mm)
Max Panel Width:	72 inches (1829 mm)
Max Panel Height:	144 inches (3650 mm)
Standard Finish:	Mill
Standard Birdscreen:	1/2" x 1/2" Galvanized

AVAILABLE ACCESSORIES

Bird Screen:	1/4 x 1/4 inter crimped aluminum 1/2 x 1/2 inter crimped aluminum	Aluminum blank off panel 1" or 2" insulated blank off panel
Insect Screen:	18 X 14 Mesh	Hinged frame
Finish:	Mill finish (standard) Baked enamel	All welded construction Hinged frame and access door
Anodized Finish:	Clear, Light Bronze, & Dark Bronze	Security bars Extended sills Extended sleeves Filter racks Custom geometric shapes

***** Contact your AlggIn representative for pricing and availability *****

Model 4100 Low Leak Damper



Available in both "PB" parallel blade & "OB" opposed blade configurations.

STANDARD CONSTRUCTION:

Depth:	5 inches (127 mm)
Depth Blades Open:	6 3/8 inches (162 mm)
Frame Thickness:	16 Ga galv. steel
Blade Thickness:	16 Ga galv. steel
Bearings:	Bronze
Axles:	3/8" poly carbonate
Frame Style:	Duct mounted frame
Min. Height:	8 inches (203 mm) single blade 14 inches (356 mm) mult. blade
Max. Panel Width:	48 inches (1219 mm)
Max. Panel Height:	72 inches (1829 mm)
Max. System Pressure:	5" w.g.
Linkage:	Concealed in frame
Standard Finish:	Mill galvanized
Motor Installation:	Side shaft direct drive (extendable up to 8")

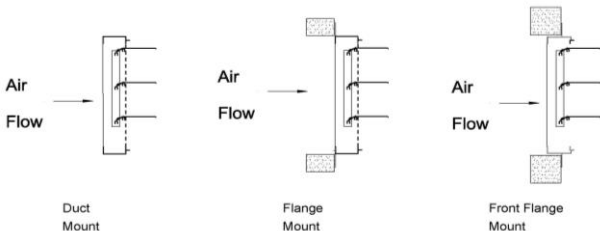
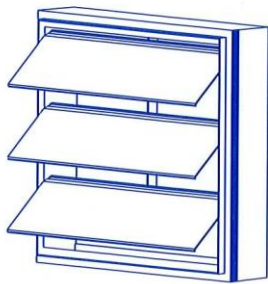
AVAILABLE ACCESSORIES:

- Belimo & Honeywell motors available (call for details)
- Jack shafts
- End switch for signaling peripheral devices

- Hand quadrants
- Chain operation for manual operation (spring closed)

** Note: Dampers will be manufactured 1/4" smaller than given opening dimensions, unless otherwise specified.*

Model BDD Aluminum Back Draft Damper



STANDARD CONSTRUCTION:

Depth Blades Closed:	2 3/4" (70 mm)
Depth Blades Open:	5 5/8" (143 mm)
Frame Style:	"DM" - duct mount frame "FM" - flange frame "FFM" - front flange frame
Frame Thickness:	0.062" 6063-T5 extruded alum.
Blade Thickness:	0.062" 6063-T5 extruded alum.
Blade Centers:	3 3/4 inches (95 mm)
Min. Height:	9 inches (229 mm)
Max. Panel Width:	60 inches (1524 mm)
Standard Finish:	Mill
Std. Operation Method:	Gravity
Standard Seals:	Vinyl blade seal

AVAILABLE ACCESSORIES:

- 1/2 x 1/2 Bird Screen
- 18 x 14 Mesh Insect Screen
- Counter balancing without springs
- Manual locking device to keep blades open
- Manual operation c/w 6 ft. of chain

** Note: "DM" & "FFM" dampers will be manufactured 1/4" smaller than given opening dimensions, unless otherwise specified. "FM" dampers will be manufactured to the exact size.*

***** Contact your AlggIn representative for pricing and availability *****



MISCELLANEOUS



www.alggin.com

CALGARY
4540 46th Avenue SE
(403) 252-0132
sales@alggin.com

EDMONTON
12110 154 St. NW
(780) 424-0132
edmsales@alggin.com

LETHBRIDGE
1126 36 St. N
(403) 320-8732
letsales@alggin.com



MISCELLANEOUS INDEX

ITEM	PAGE	ITEM	PAGE
Access Doors	4	Joist Liner – Coroplast	10
Actuators	3	Joist Liner – Thermopan	10
Anchors	11	Latch	15
Beam Clamps	11	Leak Detector	1
Blast Gates – Full Collar	4	Paint (Spray)	15
Bolts	8	Polyethylene Film Duct Wrap	11
Ceiling Flanges	11	Rain Caps – Wind Resistant	6
Cable Shark	12	Redi Rods	8
Clips – Q-Deck, Ludwig	10	Rod Couplers	11
Clutchers	12	Roof Blox	15
CO Detector	3	S-Hook	11
Damper hardware	15	Screws	7, 8
Draft Diverters	6	Sealants & Adhesives	9
Drift Pins	11	Solder	15
Dryer Vent Box	6	Stove Pipe Wire	15
Duct Connectors (Flexible)	13	Suspension Strap	11
Duct Hangers – Unistrut	12	Tape	11
Duct Hardware	13, 14	TDC Corners & Tools	13
Duct Liner	9	Templates (Fittings)	15
Ductmate Flange & Accessories	13	Thermostats	1
Easy Rod	13	Thermostat Guards	3
Filters – Furnace	6	Thermostat Wire	1
Fire Dampers	5	Threaded Rod, Washers, Nuts	8
Floor Sweep for Dust Collection	4	Tie Straps	15
Fusible Links	5	Vapor Barrier	15
Gaskets	10	Vibration Pad	15
Hose Clamps	10	Wire Rope	12
Hoyme Dampers	5	Zone System	2
Insulation – F.S.K.	9		
Insulation Fasteners	14		
Isolation Hanger	8		

THERMOSTATS



<u>STOCK #</u>	<u>DESCRIPTION</u>	<u>PRICE</u>
STAT1HT024	T812A MECHANICAL - 24V - HEAT ONLY	\$45.62
STATDIGINP	PRO1000 NON-PROGRAMMABLE 1 STAGE	\$77.02
STAT1HX120	T410A - 120V - HEAT ONLY	\$44.63
STATT1PRO1H1C	TH1110D2009 - T1 PRO - 1 HEAT / 1 COOL	\$90.37
STATT4PRO1H1C	TH4110U2005 - T4 PRO - 1 HEAT / 1 COOL	\$121.14
STATT6PRO1H1C	TH62100U2001 - T6 PRO - 1 HEAT / 1 COOL	\$172.85
STATT6PRO2H2C	TH6220U2000 - T6 PRO - 2 HEAT / 2 COOL	\$233.36
STATT6PROSLAB	TH6100AF2004 - T6 PRO - 1 HEAT SLAB SENSOR	\$262.81
STATT6WIFI	TH6220WF2006 - T6 PRO - TRADE WIFI	\$322.56
STATT6WIFIHRV	TH6320WF2003 - T6 PRO - WIFI WITH HRV CONTROL	\$434.26
STATVISPRO1H1C	TH8110R1008 - VISION PRO 8000 1 HEAT / 1 COOL	\$466.42
STATVISPRO3H2C	TH8321R1001 - VISION PRO 8000 3 HEAT / 2 COOL	\$570.55
STATPRO8000WIFI	PRO8000 WIFI THERMOSTAT	\$527.87
STATT10WSENSOR	THX321WFS2001W - T10 SMART RedLINK WITH 1 ID SENSOR	\$585.27
STAT1CX120	ROBERT SHAW MODEL #803A 1 STAGE COOLING 120 V	\$38.25



ACCESSORIES

<u>STOCK #</u>	<u>DESCRIPTION</u>	<u>PRICE</u>
HC7189R2002	2PK RedLINK 3.0 INDOOR SENSOR FOR T-10 STAT	\$223.59
HCHW3610W1001	CHW3610W1001 - WIFI LEAK AND FREEZE DETECTOR	\$203.28
HDG115EZIAQ	DG115EZIAQ - TRUE IAQ DIGITAL IAQ CONTROL	\$138.66
HTHM5320R1000	THM5320R1000 - WIRELESS INTERFACE MODULE	\$385.90



HONEYWELL HOME HELP LINE 1-855-381-3530

THERMOSTAT WIRE

<u>STOCK #</u>	<u>DESCRIPTION</u>	<u>PRICE</u>
GSTATWIRE3	THERMOSTAT WIRE - 3 WIRE / per foot	\$1.82
GSTATWIRE6	THERMOSTAT WIRE - 6 WIRE / per foot	\$1.68

Honeywell Home

resideo

ZONE SYSTEM

AUTOMATIC DAMPER

<u>STOCK #</u>	<u>SIZE</u>	<u>PRICE</u>
RARD6TZU	6"	\$228.91
RARD8TZU	8"	\$236.90



TrueZONE BYPASS DAMPER

<u>STOCK #</u>	<u>SIZE</u>	<u>PRICE</u>
RCPRD8U	8"	\$194.83
RCPRD10U	10"	\$202.62
RCPRD12U	12"	\$207.32
RCPRD14U	14"	\$227.31



PARALLEL BLADE DAMPER

<u>STOCK #</u>	<u>SIZE</u>	<u>PRICE</u>
RZD8X12TZU	8" X 12"	\$308.10
RZD8X14TZU	8" X 14"	\$312.66
RZD8X16TZU	8" X 16"	\$316.08



TrueZONE PANEL KIT

(includes control panel, transformer, discharge air temperature sensor)

<u>STOCK #</u>	<u>SIZE</u>	<u>PRICE</u>
RHZ322KU	3 Zone	\$394.79



HONEYWELL HOME HELP LINE 1-855-381-3530

Other sizes available, contact your Algin representative for pricing and availability

Honeywell

ACTUATORS

<u>STOCK #</u>	<u>DESCRIPTION</u>	<u>PRICE</u>
HMS4103A1030	27# - 100-250V - SPRING RETURN ACTUATOR	\$763.56
HMS4103A1130	27# - 100-250V - SPRING RETURN ACTUATOR WITH SWITCH	\$842.15
HMS4105A1030	44# - 100-250V - SPRING RETURN ACTUATOR	\$839.12
HMS4105A1130	44# - 100-250V - SPRING RETURN ACTUATOR WITH SWITCH	\$899.62
HMS4110A1002	88# - 100-250V - SPRING RETURN ACTUATOR	\$605.00
HMS4110A1200	88# - 100-250V - SPRING RETURN ACTUATOR WITH SWITCH	\$1,103.31
HMS4120A1001	175# - 100-250V - SPRING RETURN ACTUATOR	\$1,200.22
HMS4120A1209	175# - 100-250V - SPRING RETURN ACTUATOR WITH SWITCH	\$915.92
HMS8103A1030	27# - 24V - SPRING RETURN ACTUATOR	\$619.94
HMS8103A1130	27# - 24V - SPRING RETURN ACTUATOR WITH SWITCH	\$831.59
HMS8105A1030	44# - 24V - SPRING RETURN ACTUATOR	\$370.90
HMS8105A1130	44# - 24V - SPRING RETURN ACTUATOR WITH SWITCH	\$321.00
HMS8110A1008	88# - 24V - SPRING RETURN ACTUATOR	\$837.21
HMS8110A1206	88# - 24V - SPRING RETURN ACTUATOR WITH SWITCH	\$997.92
HMS8120A1007	175# - 24V - SPRING RETURN ACTUATOR	\$1,038.45
HMS8120A1205	175# - 24V - SPRING RETURN ACTUATOR WITH SWITCH	\$784.09



HONEYWELL HELP LINE 1-800-468-1502

CO DETECTOR

<u>STOCK #</u>	<u>DESCRIPTION</u>	<u>PRICE</u>
COALARM	BATTERY OPERATED CO ALARM	\$87.00



THERMOSTAT GUARDS

<u>STOCK #</u>	<u>DESCRIPTION</u>	<u>PRICE</u>
STATGUARDCL	5 1/4" X 4 3/8" X 3" CLASSIC	\$52.11
STATGUARDR	6 3/8" X 3 1/2" X 3" REGAL	\$29.34



BLAST GATES - FULL COLLAR

<u>STOCK #</u>	<u>SIZE</u>	<u>PRICE</u>
BLASGATE03	3"	\$37.00
BLASGATE04	4"	\$37.28
BLASGATE05	5"	\$50.47
BLASGATE06	6"	\$63.03
BLASGATE07	7"	\$79.78



<u>STOCK #</u>	<u>SIZE</u>	<u>PRICE</u>
BLASGATE08	8"	\$106.02
BLASGATE10	10"	\$206.62
BLASGATE12	12"	\$222.23

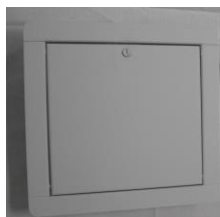
FLOOR SWEEP - FOR DUST COLLECTION

FLOORSWEEP6 6" 16g Floor Sweep \$274.47

**** Other sizes available upon request ****

DRYWALL ACCESS DOORS

<u>STOCK #</u>	<u>SIZE</u>	<u>PRICE</u>
ACCDRY0808	8" x 8"	\$36.63
ACCDRY1212	12" x 12"	\$44.72
ACCDRY1616	16" x 16"	\$71.33
ACCDRY1818	18" x 18"	\$91.77
ACCDRY2424	24" x 24"	\$152.95



DUCT ACCESS DOORS

<u>STOCK #</u>	<u>MODEL #</u>	<u>DESCRIPTION</u>	<u>PRICE</u>
ACCDCT0805	800-1	8 x 5 Oval	\$32.16
ACCDCT1206	810-1	12 x 6 Oval	\$41.56
ACCDCT1810	820-1	18 x 10 Oval	\$69.21
ACCDCT2114	830-1	21 x 14 Oval	\$118.46
ACCDCT2517	850-1	25 x 17 Oval	\$145.93



KITCHEN EXHAUST ACCESS DOORS

<u>STOCK #</u>	<u>SIZE</u>	<u>PRICE</u>
KITEXH0808	8 X 8	\$120.00
KITEXH1008	10 x 8	\$123.50
KITEXH1010	10 X 10	\$129.00
KITEXH1212	12 X 12	\$144.00

* Fire rated access doors available upon request

SANDWICH STYLE ACCESS DOORS - ROUND DUCT

<u>STOCK #</u>	<u>SIZE</u>	<u>DESCRIPTION</u>	<u>PRICE</u>
ACCDRI846	8 x 4	5" - 6" Insulated	\$54.61
ACCDRI849	8 x 4	7" - 9" Insulated	\$54.61
ACCDRU12811	12 x 8	10" - 11" Uninsulated	\$77.51
ACCDRU12814	12 x 8	12" - 14" Uninsulated	\$77.51
ACCDRU846	8 x 4	5" - 6" Uninsulated	\$54.68
ACCDRU849	8 x 4	7" - 9" Uninsulated	\$53.45



FIRE DAMPERS - TYPE C

HORIZONTAL

<u>STOCK #</u>	<u>SIZE</u>	<u>PRICE</u>
FIRECH04XX	4"	\$86.86
FIRECH05XX	5"	\$86.86
FIRECH06XX	6"	\$86.86
FIRECH08XX	8"	\$97.70
FIRECH10XX	10"	\$103.14
FIRECH12XX	12"	\$114.00
FIRECH14XX	14"	\$162.86



*Other sizes including rectangular and square, are available upon request.

FUSIBLE LINKS

<u>STOCK #</u>	<u>DESCRIPTION</u>	<u>PRICE</u>
FUS165DEGX	165°	\$13.57
FUS212DEGX	212°	\$15.10



HMI HOYME
MANUFACTURING INC.
 "Putting a Damper on Cold Air"
 ~For over 30 years~

<u>STOCK #</u>	<u>DESCRIPTION</u>	<u>PRICE</u>
HAC04XXXXX	4" HAC Damper OPO	\$171.00
HAC05XXXXX	5" HAC Damper OPO	\$174.00
HAC06XXXXX	5" HAC Damper OPO	\$176.00





RAIN CAPS - WIND RESISTANT

<u>STOCK #</u>	<u>DESCRIPTION</u>	<u>PRICE</u>
WINDTECH03	3" HIGH WIND CAP	\$29.75
WINDTECH04	4" HIGH WIND CAP	\$29.75
WINDTECH05	5" HIGH WIND CAP	\$39.75
WINDTECH06	6" HIGH WIND CAP	\$51.50
WINDTECH07	7" HIGH WIND CAP	\$83.00
WINDTECH08	8" HIGH WIND CAP	\$88.00
WINDTECH10	10" HIGH WIND CAP	\$229.00
WINDTECH12	12" HIGH WIND CAP	\$322.00



DRAFT DIVERTERS

Vertical Draft Diverters available in sizes 3" through 8"
Call your Alggin representative for pricing



FILTERS - DISPOSABLE (PACKAGE OF 3)

<u>STOCK #</u>	<u>DESCRIPTION</u>	<u>PRICE / PKG</u>
FILXX16201	16" X 20" X 1" DISPOSABLE FILTER	\$15.65
FILXX16251	16" X 25" X 1" DISPOSABLE FILTER	\$15.65
FILXX20251	20" X 25" X 1" DISPOSABLE FILTER	\$15.65



FILTERS - MERV 11

<u>STOCK #</u>	<u>DESCRIPTION</u>	<u>PRICE</u>
FILM1116201	16" X 20" X 1" MERV 11 FILTER	\$13.20
FILM1116251	16" X 25" X 1" MERV 11 FILTER	\$13.20
FILM1120201	20" X 20" X 1" MERV 11 FILTER	\$13.46
FILM1120251	20" X 25" X 1" MERV 11 FILTER	\$15.04
FILM1116204	16" X 20" X 4" MERV 11 FILTER	\$36.04
FILM1116254	16" X 25" X 4" MERV 11 FILTER	\$36.95
FILM1120204	20" X 20" X 4" MERV 11 FILTER	\$34.97
FILM1120254	20" X 25" X 4" MERV 11 FILTER	\$40.52



DRYER VENT BOX

DRYERBOX	4" DRYER BOX	\$66.00
DRYERBOXRING	METAL TRIM RING FOR DRYER BOX	\$20.00



B-VENT METAL SCREWS

<u>STOCK #</u>	<u>DESCRIPTION</u>	<u>PRICE/100</u>
SMSBVENT14	#8 x 1/4"	\$7.22

SHEET METAL SCREWS - PAN HEAD SOCKET

<u>STOCK #</u>	<u>DESCRIPTION</u>	<u>PRICE/100</u>	<u>STOCK #</u>	<u>DESCRIPTION</u>	<u>PRICE/100</u>
SMS08050PH	#8 x 1/2"	\$6.75			
SMS08075PH	#8 x 3/4"	\$8.60	SMS10075PH	#10 x 3/4"	\$9.60
SMS08100PH	#8 x 1"	\$9.83	SMS10100PH	#10 x 1"	\$10.95
SMS08150PH	#8 x 1 1/2"	\$12.80	SMS10150PH	#10 x 1 1/2"	\$15.32
SMS08200PH	#8 x 2"	\$14.25	SMS10200PH	#10 x 2"	\$23.27
SMS08250PH	#8 x 2 1/2"	\$27.41			
SMS08300PH	#8 x 3"	\$26.57			



SHEET METAL SCREWS - HEX HEAD

<u>STOCK #</u>	<u>DESCRIPTION</u>	<u>PRICE/100</u>
SMS08050HH	#8 x 1/2"	\$11.56

SHEET METAL SCREWS - DRILL POINT

<u>PAN HEAD SOCKET</u>			<u>HEX HEAD</u>		
<u>STOCK #</u>	<u>DESCRIPTION</u>	<u>PRICE/100</u>	<u>STOCK #</u>	<u>DESCRIPTION</u>	<u>PRICE/100</u>
SMS0850PTK	#8 x 1/2"	\$6.72	SMS0850HTK	#8 x 1/2"	\$8.23
SMS0875PTK	#8 x 3/4"	\$7.31	SMS0875HTK	#8 x 3/4"	\$7.95
SMS0810PTK	#8 x 1"	\$10.67	SMS0810HTK	#8 x 1"	\$11.65
SMS1075PTK	#10 x 3/4"	\$10.36	SMS1075HTK	#10 x 3/4"	\$13.16
SMS1010PTK	#10 x 1"	\$16.20	SMS1010HTK	#10 x 1"	\$13.69

PAN HEAD SOCKET & HEX HEAD SELF TAPPING SCREWS

#8 x 9/16 Screw

<u>PAN HEAD SOCKET SCREWS</u>			<u>HEX HEAD DRILL SCREWS</u>		
<u>STOCK #</u>	<u>DESCRIPTION</u>	<u>PRICE/PACK</u>	<u>STOCK #</u>	<u>DESCRIPTION</u>	<u>PRICE/PACK</u>
SMS850PHSP	Single pack (1000)	\$91.84	SMS850HHSP	Single pack (1000)	\$90.86
SMS850PHBX	Bulk pack (12000)	\$467.04			



SCREWS - DRILL POINT

#8 x 1/2"

<u>PAN HEAD SOCKET TEK</u>			<u>HEX TEK</u>		
<u>STOCK #</u>	<u>DESCRIPTION</u>	<u>PRICE/PACK</u>	<u>STOCK #</u>	<u>DESCRIPTION</u>	<u>PRICE/PACK</u>
SMS850PTSP	Single pack (1000)	\$70.28	SMS850HTSP	Single pack (1000)	\$86.24
SMS850PTBX	Bulk pack (15000)	\$789.60			

SCREWS - DRILL POINT

#10 x 3/4"

<u>PAN HEAD SOCKET TEK</u>			<u>HEX TEK</u>		
<u>STOCK #</u>	<u>DESCRIPTION</u>	<u>PRICE/JAR</u>	<u>STOCK #</u>	<u>DESCRIPTION</u>	<u>PRICE/JAR</u>
SMS1075PTJ	#10 x 3/4"	\$114.52	SMS1075HTJ	#10 x 3/4"	\$68.18

STOVE BOLTS (Round Head)

(100 PACK)

<u>STOCK #</u>	<u>DESCRIPTION</u>	<u>PRICE/100</u>	<u>STOCK #</u>	<u>DESCRIPTION</u>	<u>PRICE/100</u>
SMS14100RH	1/4" x 1"	\$21.56	SMS14200RH	1/4" x 2"	\$24.08

THREADED ROD, WASHERS & NUTS

<u>1/4"</u>			<u>3/8"</u>		
<u>STOCK #</u>	<u>DESCRIPTION</u>	<u>PRICE</u>	<u>STOCK #</u>	<u>DESCRIPTION</u>	<u>PRICE</u>
REDIRODS14	REDI ROD	\$9.47 per length	REDIRODS38	REDI ROD	\$9.24 per length
REDINUTS14	NUTS	\$7.36 per 100	REDINUTS38	NUTS	\$14.64 per 100
REDILOCK14	LOCK WASHER	\$3.64 per 100	REDILOCK38	LOCK WASHER	\$9.77 per 100
REDIFLAT14	FLAT WASHER	\$7.53 per 100	REDIFLAT38	FLAT WASHER	\$18.87 per 100
FENWASHR14	FENDER WASHER	\$27.89 per 100	FENWASHR38	FENDER WASHER	\$54.35 per 100

ISOLATION HANGER

<u>STOCK #</u>	<u>DESCRIPTION</u>	<u>PRICE</u>
ISOLATHNGR	ISOLATION HANGER	\$25.64

BOLTS

<u>STOCK #</u>	<u>DESCRIPTION</u>	<u>PRICE</u>
BOLTCA3801	CARRIAGE BOLTS 3/8" X 1" - per 100	\$59.67
PINBOLTSXX	PIN BOLTS - per 100	\$40.32
TOGGLE14X3	TOGGLE BOLTS - 1/4" X 3" per box of 50	\$51.25
EYEBOLT141	EYE BOLTS - 1/4" x 1" per bag of 10	\$14.56
EYEBOLT381	EYE BOLTS - 3/8" x 1" per bag of 10	\$31.65



DUCT LINER - PER SQUARE FOOT

<u>STOCK #</u>	<u>DESCRIPTION</u>	<u>PRICE</u>
DKLIN050CT	1/2" DUCT LINER	\$1.73
DKLIN100CT	1" DUCT LINER	\$2.29
DKLIN200CT	2" DUCT LINER	\$4.54



REINFORCED FOIL INSULATION "F.S.K."

<u>STOCK #</u>	<u>PRICE / SQ FT</u>
INSULFSKCT	\$1.51

1" x 48" x 100 Ft. (400 Sq. Ft.) per roll



SEALANTS & ADHESIVES

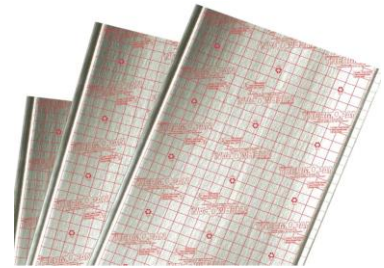
<u>STOCK #</u>	<u>DESCRIPTION</u>	<u>PRICE</u>	
SEALSLCONC	ALGGIN SILICONE SEALANT - CLEAR	\$23.71	per tube
SEALSLCONW	ALGGIN SILICONE SEALANT - WHITE	\$23.71	per tube
SEALSLCONG	ALGGIN SILICONE SEALANT - GREY/ALUMINUM	\$23.71	per tube
SEALXCAULK	ALGGIN CAULKING COMPOUND	\$25.69	per tube
SEALHITEMP	ALGGIN HIGH TEMPERATURE SEALANT	\$30.75	per tube
SEALDOSGAL	DYN AIR "DYN-O-SEAL" H.V. DUCT SEALER WATER BASE	\$36.90	per gallon
SEALDOSCTG	DYN AIR "DYN-O-SEAL" H.V. DUCT SEALER WATER BASE	\$7.69	per tube
SEALSG404GAL	DYN AIR "SURE-GRIP" H.V. DUCT SEALER SOLVENT BASE	\$103.00	per gallon
SEALEVERGAL	DUCTMATE "EVERseal" DUCT SEALER WATER BASE	\$38.54	per gallon
SEALCEMENT	RESISTO SUPER ROOF REPAIR	\$20.36	per gallon





JOIST LINER - THERMOPAN

<u>STOCK #</u>	<u>DESCRIPTION</u>	<u>PRICE</u>
THERMO1648	16" X 48" CORRUGATED JOIST LINER	\$7.27
THERMO1948	19" X 48" CORRUGATED JOIST LINER	\$8.83
THERMO2448	24" X 48" CORRUGATED JOIST LINER	\$11.08



JOIST LINER - COROPLAST

<u>STOCK #</u>	<u>DESCRIPTION</u>	<u>PRICE</u>
COROPLST1648	16" X 48" PLASTIC JOIST LINER	\$6.77
COROPLST2148	21" X 48" PLASTIC JOIST LINER	\$7.00
COROPLST2448	24" X 48" PLASTIC JOIST LINER	\$9.19



GASKETS - PER ROLL

<u>STOCK #</u>	<u>TYPE</u>	<u>SIZE</u>	<u>PRICE</u>
GASKET1812	NEOPRENE	1/8" x 1/2" x 50'	\$18.28
GASKET1834	NEOPRENE	1/8" x 3/4" x 50'	\$23.24
GASKET1810	NEOPRENE	1/8" x 1" x 50'	\$30.59
GASKET1434	NEOPRENE	1/4" x 3/4" x 37.5'	\$30.04
GASKET3834	NEOPRENE	3/8" x 3/4" x 25'	\$23.80
GASKET3810	NEOPRENE	3/8" x 1" x 25'	\$30.20
GASKET1212	NEOPRENE	1/2" x 1 1/2" x 25'	\$55.19
GASKETHOT100	HIGH TEMP	1/8" x 1" x 100'	\$353.50
GASKETHOT200	HIGH TEMP	1/8" x 2" x 100'	\$450.45



HOSE CLAMPS

<u>STOCK #</u>	<u>MODEL #</u>	<u>RANGE</u>	<u>PRICE</u>
CLAMPXHS48	HS48	2 9/16" to 3 1/2"	\$3.42
CLAMPXHS64	HS64	3 9/16" to 4 1/2"	\$4.70
CLAMPXHS96	HS96	4 1/2" to 6 1/2"	\$4.54
CLAMPHS128	HS128	6 1/2" to 8 1/2"	\$6.66
CLAMPHS164	HS164	8 3/4" to 10 3/4"	\$12.63



CLIPS - Q-DECK, LUDWIG

<u>STOCK #</u>	<u>DESCRIPTION</u>	<u>PRICE</u>
CLIPQDEC14	Q - DECK CLIPS 1/4" each	\$4.37
CLIPQDEC38	Q - DECK CLIPS 3/8" each	\$4.37
CLIPLUDWIG	LUDWIG CLIPS each	\$2.63



SUSPENSION STRAP

<u>STOCK #</u>	<u>DESCRIPTION</u>	<u>PRICE</u>
SUSPST3425	3/4" X 25' - 20 GA.	\$5.96
SUSPST341C	3/4" X 100' - 20 GA.	\$22.50



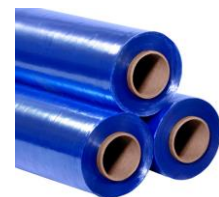
TAPE

<u>STOCK #</u>	<u>DESCRIPTION</u>	<u>PRICE</u>
TAPEDUCT02	2" x 60 Yd. CLOTH DUCT TAPE	\$15.82
TAPEPLN002	2" x 50 Yd. ALUM. FOIL TAPE-PLAIN	\$17.01
TAPEBUTY34	BUTYL TAPE 3/16" X 3/4" 25' ROLL	\$14.74
TAPEAFT701	ALUMA-GRIP AFT-701 TAPE 3" X 50' ROLL	\$67.39
TAPEFLXSIL	FLEXIBLE DUCT TAPE - SILVER 48 mm X 100 m	\$44.50
DYNFS150XX	FIBERGLASS SCRIM TAPE 3" X 150'	\$41.20



POLYETHYLENE FILM - DUCT WRAP

<u>STOCK #</u>	<u>DESCRIPTION</u>	<u>PRICE</u>
PROGUARD24	24" X 200FT POLYETHYLENE FILM	\$66.68
PROGUARD36	36" X 200FT POLYETHYLENE FILM	\$99.82



ANCHORS

<u>STOCK #</u>	<u>DESCRIPTION</u>	<u>PRICE</u>
DROPINAN14	DROP IN ANCHORS 1/4" - BOX OF 100	\$45.81
DROPINAN38	DROP IN ANCHORS 3/8" - BOX OF 50	\$30.86
EZANCHORS	E-Z ANCHORS (DRY WALL) - BOX OF 100	\$76.27
EYELAG14X2	1/4" x 2" DRILL POINT SCREW EYE - BOX OF 100	\$74.00
EYELAGDRVBIT	EYELAG DRIVER BIT	\$23.88
WEDANCHORS14	1/4" X 1 1/4" TIE WIRE WEDGE ANCHOR - BOX OF 100	\$62.47



CEILING FLANGES, CLAMPS, COUPLERS, DRIFT PINS

<u>STOCK #</u>	<u>DESCRIPTION</u>	<u>PRICE</u>
CEILFLAN14	CEILING FLANGE - 1/4"	\$4.37
CEILFLAN38	CEILING FLANGE - 3/8"	\$4.37
BEAMCLAM14	UNIVERSAL BEAM CLAMP - 1/4"	\$5.18
BEAMCLAM38	UNIVERSAL BEAM CLAMP - 3/8"	\$5.18
RODCPLER14	ROD COUPLER - 1/4"	\$0.39
RODCPLER38	ROD COUPLER - 3/8"	\$0.84
DRIFTPIN14	DRIFT PIN - 1/4"	\$7.45
DRIFTPIN38	DRIFT PIN - 3/8"	\$10.56
SHOOK218X58	2 1/8" x 5/8" S-HOOK (10/bag)	\$9.24





HANGER SYSTEM MATERIALS

DYNA-TITE CABLE LOCK HANGING SYSTEM

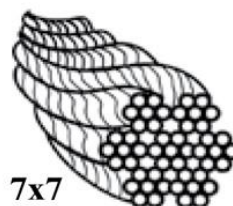
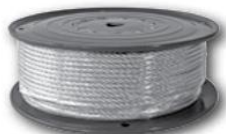
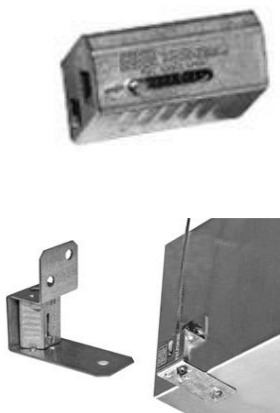
WIRE ROPE

<u>STOCK #</u>	<u>MODEL #</u>	<u>DESCRIPTION</u>	<u>FEET/ SPOOL</u>	<u>PRICE/ SPOOL</u>
WIRECL12	WC3-CL12	WIRE ROPE (WC3-CL12) 500' SPOOL	500	\$104.00
WIRECL18	WC4-CL18	WIRE ROPE (WC4-CL18) 500' SPOOL	500	\$144.56

CABLE LOCKS

<u>STOCK #</u>	<u>MODEL #</u>	<u>DESCRIPTION</u>	<u>PRICE PER BAG</u>
CABLELCK12	CL12	CL12 CABLE LOCK 125 LB (BAG / 100)	\$467.07
CABLELCK18	CL18	CL18 CABLE LOCK 250 LB (BOX / 100)	\$704.08

<u>STOCK #</u>	<u>MODEL #</u>	<u>DESCRIPTION</u>	<u>PRICE / EA</u>	<u>BOX QTY.</u>
DURO30361X	KV12	BRACKET ASSEMBLY W/ CL12 CABLE LOCK	\$8.55	10



CRIMP SLEEVE

<u>STOCK #</u>	<u>DESCRIPTION</u>	<u>PRICE</u>
CBLECRIMP332	3/32" CABLE CRIMP SLEEVE ALUM #10 - BAG OF 100	\$36.40 per bag

DUCT HANGER - UNISTRUT

<u>STOCK #</u>	<u>DESCRIPTION</u>	<u>PRICE</u>
UNISTRUT158	UNISTRUT 1 5/8" - 10' LENGTH	\$58.34 per length
UNINUTP10061420	1/4" CHANNEL NUT WITH SPRING	\$1.34 each
UNINUTP1008	3/8" CHANNEL NUT WITH SPRING	\$1.29 each
UNIFITP1356	FLAT PLATE FITTING - CROSS BRACKET	\$26.46 each
UNIFITP1747	ANGLE FITTING - L BRACKET - HORIZ	\$17.39 each
UNIFITP1325	ANGLE FITTING - L BRACKET - VERT	\$8.44 each

DUCT HARDWARE

DUCT CONNECTOR FLEXIBLE - PER ROLL

<u>STOCK #</u>	<u>TYPE</u>	<u>PRICE</u>
DYNCPN4STK	NEOPRENE (BLACK) - 100' ROLL	\$674.19
DYNMFN444STK	NEOPRENE (BLACK) FOR TDC - 100' ROLL	\$997.48
DYNSMFN100	NEOPRENE (BLACK) 3 X 6 X 3 - 100' ROLL	\$989.92
DYNCPV4STK	VINYL-FLEX (YELLOW) - 100' ROLL	\$510.34
DYNMCT50STK	TEFLON (GREY) - 50' ROLL	\$469.48



DUCT CONNECTOR FLEXIBLE - PER FOOT

<u>STOCK #</u>	<u>TYPE</u>	<u>PRICE</u>
DYNCPN4CUT	NEOPRENE (BLACK)	\$10.34
DYNCPV4CUT	VINYL-FLEX (YELLOW)	\$7.68
DYNMCT50CUT	TEFLON (GREY)	\$14.12

TDC MATERIALS

<u>STOCK #</u>	<u>DESCRIPTION</u>	<u>PRICE</u>
TDCCORNERS	TDC CORNERS - BOX OF 250	\$365.28
TDCCORNER1	TDC CORNER - EACH	\$1.67
CLIPTOOLXX	TDC CLIP TOOL	\$35.73
TOOLTDCCORNR	TDC CORNER TOOL	\$455.00
EASYROD12	EASY ROD FOR 1/2" CONDUIT - BOX OF 250	\$314.89
EASYROD12EA	EASY ROD FOR 1/2" CONDUIT - PER EACH	\$2.10



For TDC Clips see Commercial section, page 6.

DUCTMATE FLANGE & ACCESSORIES

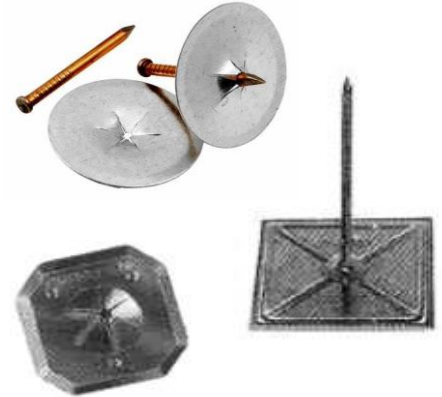
<u>STOCK #</u>	<u>DESCRIPTION</u>	<u>PRICE</u>
DM35FLANGE	DUCTMATE '35' GALV FLANGE - PER LENGTH	\$65.72
DM2535CLIP	CORNER CLIPS FOR DM 25/35 - BOX OF 500	\$243.33
DM35CLEAT	6" METAL CLEAT FOR DM 25/35 - BOX OF 500	\$471.11
DM35CORNER	STAR HOLE CORNERS FOR DM 35 - BOX OF 250	\$487.91



DUCT HARDWARE

INSULATION FASTENERS

<u>STOCK #</u>	<u>DESCRIPTION</u>	<u>PRICE</u>
DYNDST75XX	SPOT-ONS - 3/4" 1000 pack	\$101.80
DYNDST114X	SPOT-ONS - 1 1/4" 1000 pack	\$120.35
DYNDST200X	SPOT-ONS - 2" 1000 pack	\$143.91
DYNDST250X	SPOT-ONS - 2 1/2" 1000 pack	\$167.16
DYNDCT100X	DC CLIPS 1000 pack	\$114.33
DYNSKC125X	STIK-ONS - 1 1/4" 100 pack	\$62.76
DYNSKC250X	STIK-ONS - 2 1/2" 100 pack	\$71.87



MISCELLANEOUS DUCT HARDWARE

<u>STOCK #</u>	<u>DESCRIPTION</u>	<u>PRICE</u>
DYND25XXXX	DIAL 1/4"	\$2.42
DYNDP25XXX	SPRING SLIDE BEARING 1/4"	\$1.50
DYNDPL25XX	SPRING SLIDE BEARING 1/4" LONG	\$1.94
DYNDP25SXX	SQUARE END BEARING 1/4"	\$1.57
DYNDP25LXX	SQUARE END BEARING 1/4" LONG	\$1.75
DYNDP50SXX	SQUARE END BEARING 1/2"	\$6.50
DYND38XXXX	DIAL 3/8"	\$3.68
DYNDP38XXX	SPRING SLIDE BEARING 3/8"	\$2.32
DYNDP38SXX	SQUARE END BEARING 3/8"	\$3.83
DYNDP38LXX	SQUARE END BEARING 3/8" LONG	\$4.79
DYNQC38SXX	QUADRANT REGULATOR 3/8" SQ. HOLE	\$13.41
DYNQC50RXX	QUADRANT REGULATOR 1/2" RD. HOLE	\$18.80
DYNQC50SXX	QUADRANT REGULATOR 1/2" SQ. HOLE	\$17.39
DYNB14XXX	BALL JOINT DAMPER BRACKET	\$6.93
DYNSB14XXX	SPLITTER DAMPER BRACKET	\$11.24
DYNDCA50XX	CRANK ARM 1/2"	\$8.95
DYNDCS313X	BALL SWIVEL	\$9.02
DYNDL1XXX	SWIVEL-LOK	\$5.47
DYNDR35STK	DYN-O-RAIL 100 foot roll	\$312.94
DYNDR35CUT	DYN-O-RAIL per foot	\$4.17
DYNZSP50XX	1/2" SLIDE BEARING PIN	\$3.12
DYNADH38XX	ACCESS DOOR CLOSURE 3/8"	\$27.47
DYNADH50XX	ACCESS DOOR CLOSURE 1/2"	\$40.52
DYNDRS25XX	DIAL - A - MATIC REG. SET 1/4"	\$5.67
DYNDRS25LX	DIAL - A - MATIC REG. SET 1/4" LONG	\$6.27



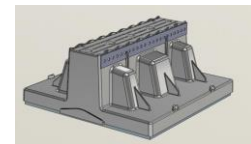
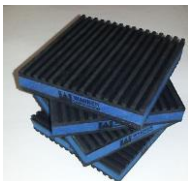
MULTI BLADE DAMPER HARDWARE

For parallel (PARA-LINK) and opposed action (OPPO-LINK) dampers

<u>STOCK #</u>	<u>DESCRIPTION</u>	<u>PRICE</u>	<u>UNITS REQUIRED FOR KIT</u>	
			<u>PARA-LINK</u>	<u>OPPO-LINK</u>
DYNPLB14XX	HI-BRACKET 1/4" PARA-LINK	\$8.67	1	1
DYNOLL14XX	LO-BRACKET OPPO-LINK c/w ROD	\$9.60		1
DYNDKP5XXX	BRONZE BUSHING 1/2" ID	\$0.91	2	4
DYNDKP5DXX	DELTRIN BUSHING 1/2" ID	\$1.12		
DYNDKP13XX	STRAP AND SET SCREW	\$1.81	2	4
DYNDKP50XX	PIN 1/2" D x 2 1/2" LONG	\$2.27	2	4
DYNDKP506X	PIN 1/2" D x 6" LONG	\$5.07		
DYNDKP506A	ADAPTOR PIN 1/2" SQ to 1/2" RD x 6" L	\$12.52		

MISCELLANEOUS

<u>STOCK #</u>	<u>DESCRIPTION</u>	<u>PRICE</u>
FAU7720086	LATCH #772-0086	\$5.94
SOLDER	50/50 BAR SOLDER	\$54.94
WIRESTOVEP	STOVE PIPE WIRE	\$17.75
SPRAYPTBLK	SPRAY PAINT - CAN - BLACK	\$21.20
SPRAYPTSIL	SPRAY PAINT - CAN - SILVER	\$17.56
SPRAYPTWHT	SPRAY PAINT - CAN - WHITE	\$16.60
SPRYCOLDGALV	COLD GALVANIZING SPRAY	\$47.85
TEMPLATRCT	FITTING TEMPLATE - RECTANGLE	\$39.12
TEMPLATRND	FITTING TEMPLATE - ROUND	\$39.12
PADEVA3378	3" X 3" X 7/8" VIBRATION PAD	\$4.35
NYLSTRAP36	36" NYLON PULL TIE STRAP	\$3.06
NYLSTRAP48	48" NYLON PULL TIE STRAP	\$4.23
ROOFBLOX1	ROOF TOP BLOX	\$20.55
VAPORBAR11129126	VAPOR BARRIER 11 1/2" X 9 1/2" X 6"	\$11.47
VAPORBAR1311	VAPOR BARRIER 13 1/2" X 11" X 7 3/4"	\$11.47





COMMERCIAL HEATING & COOLING



www.alggin.com

CALGARY
4540 46th Avenue SE
(403) 252-0132
sales@alggin.com

EDMONTON
12110 154 St. NW
(780) 424-0132
edmales@alggin.com

LETHBRIDGE
1126 36 St. N.
(403) 320-8732
letsales@alggin.com



MODINE UNIT HEATERS



LOW PROFILE HEATERS - HOT DAWG

Gas Fired - Power Vented - Spark Ignition

<u>STOCK #</u>	<u>MODEL</u>	<u>DESCRIPTION</u>	<u>PRICE</u>
HD030A01XX	HD30	30,000 BTU	\$1,890.71
HD045A01XX	HD45	45,000 BTU	\$1,962.43
HD060A01XX	HD60	60,000 BTU	\$2,248.20
HD075A01XX	HD75	75,000 BTU	\$2,313.40
HD100A01XX	HD100	100,000 BTU	\$2,680.68
HD125A01XX	HD125	125,000 BTU	\$2,898.00



Gas Fired - Separated Combustion

			<u>PRICE</u>
HDS045AS01	HDS45	45,000 BTU	\$2,792.60
HDS075AS01	HDS75	75,000 BTU	\$3,377.20
HDS125AS01	HDS125	125,000 BTU	\$4,477.94
M33356	HDS 4" VERT CONCENTRIC VENT KIT		\$759.54
M32161	HDS 4" HORIZ CONCENTRIC VENT KIT		\$588.94



PROPELLER UNIT HEATERS

Gas Fired - Spark Ignition

Vertical Power Vented

<u>STOCK #</u>	<u>MODEL</u>	<u>DESCRIPTION</u>	<u>PRICE</u>
PDP150A01SI	PDP150	150,000 BTU	\$3,339.00
PDP175A01SI	PDP175	175,000 BTU	\$3,608.00
PDP200A01SI	PDP200	200,000 BTU	\$3,823.00
PDP250A01SI	PDP250	250,000 BTU	\$4,773.00
PDP300A01SI	PDP300	300,000 BTU	\$5,275.00
PDP350A01SI	PDP350	350,000 BTU	\$5,882.00
PDP400A01SI	PDP400	400,000 BTU	\$6,286.00



Low Profile Stainless Steel Power Vented

<u>STOCK #</u>	<u>MODEL</u>	<u>DESCRIPTION</u>	<u>PRICE</u>
PTP200SS01	PTP200	200,000 BTU	\$3,386.00
PTP250SS01	PTP250	250,000 BTU	\$3,885.00



PARTS & ACCESSORIES

Algin carries Modine parts and accessories, including propane conversion kits. Please contact your Algin representative for pricing and availability. For replacement parts, unit model and serial numbers are required.

Note: All stocked heaters are designed for natural gas operation. Propane units are available upon request. All stocked heaters are designed for 120V operation.

Prices are F.O.B. our warehouse and subject to change without notice. All taxes extra.

GAS FIRED RADIANT TUBE HEATERS - COMMERCIAL USE

ITB - Series

Please note: Burner Package + Appropriate Tube Kit(s) = Package Price

Builder Model ITB Features: 24 Volt or Line Voltage Thermostat Ready

Birdscreened Combustion Air Collar - 4"

Swing Down Cabinet Service Access

Whisper Quiet Ceramic Burner

End Cap Reflectors

Flexible Gas Connector Included



	BTU RATING	45,000	60,000	80,000	110,000	130,000	155,000
	BURNER #	ISJJE045CN	ISJJE060CN	ISJJE080CN	ISJJE110CN	ISJJE130CN	ISJJE155CN
Tube Package #							
ISTM1420SX		\$2,643.61	\$2,643.61	\$2,643.61	----	----	----
20 Foot Length							
ISTM1430SX		----	\$2,938.81	\$2,938.81	\$2,938.81	\$2,938.81	----
30 Foot Length							
ISTM1040SX		----	----	\$3,232.81	\$3,232.81	\$3,232.81	\$3,298.81
40 Foot Length							
ISTMF030SX	(30 Ft.) Tube Kit #1	----	----	----	\$3,758.42	\$3,758.42	\$3,824.42
ISTM0020SX	(20 Ft.) Tube Kit #2						
50 Foot Length							
ISTMF030SX	(30 Ft.) Tube Kit #1	----	----	----	----	----	\$4,141.22
ISTM0030SX	(30 Ft.) Tube Kit #2						
60 Foot Length							
	BTU RATING	175,000	200,000				
	BURNER #	ISJJE175CN	ISJJE200CN				
Tube Package #							
ISTM1030SX	(30 Ft.) Tube Kit #1	\$4,154.42	POA				
ISTM0020SX	(20 Ft.) Tube Kit #2						
50 Foot Length							
ISTM1030SX	(30 Ft.) Tube Kit #1	\$4,471.22	POA				
ISTM0030SX	(30 Ft.) Tube Kit #2						
60 Foot Length							
ISTM1030SX	(30 Ft.) Tube Kit #1	\$4,789.21	POA				
ISTM0040SX	(40 Ft.) Tube Kit #2						
70 Foot Length							





GAS FIRED RESIDENTIAL GARAGE/WORKSHOP TUBE HEATERS

<u>STOCK #</u>	<u>BTU</u>	<u>PRICE</u>
ISP40R	40,000	\$3,042.00

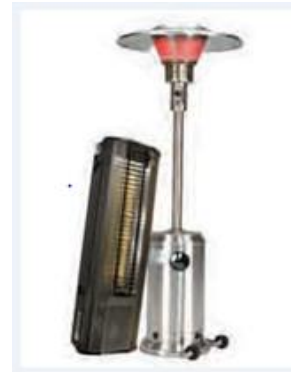
Compact 10 foot design
Includes: 24 volt thermostat
Hanging Chain
Suspension Hooks
120V 3 pronged plug



Model P40-R

GAS FIRED OUTDOOR PATIO HEATERS

Available upon request, ask your AlggIn representative for pricing and availability.



PARTS & ACCESSORIES

AlggIn carries InfraSave parts and accessories, including propane conversion kits. Please contact your AlggIn representative for pricing and availability. For replacement parts, unit model and serial numbers are required.

Note: all stocked heaters are designed for natural gas operation. Propane fired heaters are available upon request. All stocked heaters are designed for 120V operation.

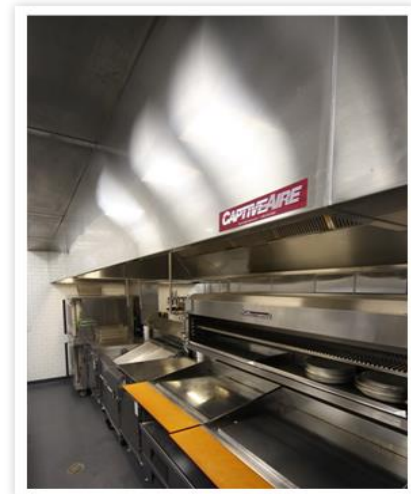
INDIRECT FIRED HEATING & MAKE-UP AIR UNITS



KITCHEN VENTILATION & DIRECT FIRED MAKE-UP AIR UNITS



Commercial Kitchen Ventilation



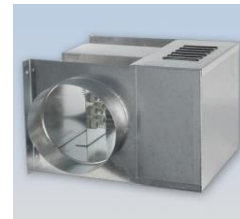
Algin stocks common CaptiveAire parts, ask your representative for details.

THERMOLEC



ELECTRIC MINI MAKE UP AIR

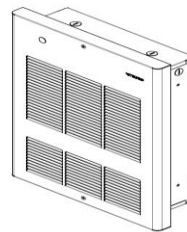
<u>STOCK #</u>	<u>DESCRIPTION</u>			<u>PRICE</u>
FER862401	8" 6KW 240V 1 PHASE		500 CFM	\$2,400.00
FER10102083	10" 10KW 208V 3 PHASE	30 AMP	500 CFM	\$3,256.80
FER12102083	12" 10KW 208V 3 PHASE	30 AMP	800 CFM	\$4,442.40
FER12202083	12" 20KW 208V 3 PHASE	60 AMP	1000 CFM	\$4,442.40



ELECTRIC FRESH AIR HEATER

<u>STOCK #</u>	<u>DESCRIPTION</u>	<u>PRICE</u>
TER62240	6" 2KW 240V 1 PHASE WITH BUILT IN STAT	\$566.40
TER85240	8" 5KW 240V 1 PHASE WITH BUILT IN STAT	\$741.60
TER108240	10" 8KW 240V 1 PHASE WITH BUILT IN STAT	\$1,094.40
TER1210240	12" 10KW 240V 1 PHASE WITH BUILT IN STAT	\$1,296.00

Thermolec electric duct heaters are available in many custom configurations and capacities to meet your specific requirements. Please contact your Algin representative for further information and pricing.



STELPRO offers a unique portfolio of the most innovative products, designed and manufactured in Canada to meet the highest standards.

From heating and ventilation to electronic controls, STELPRO is your global comfort solution to enhance your clients' living environment.

Please contact your ALGIN sales representative for information on available STELPRO Heaters

HRV'S - LIGHT COMMERCIAL

<u>STOCK #</u>	<u>DESCRIPTION</u>	<u>PRICE</u>
HRVLCH4H	GREENTEK LCH-4H HRV SIDE PORT 200 - 450 CFM	\$3,560.64
HRVLCH7H	GREENTEK LCH-7H HRV SIDE PORT 500 - 750 CFM	\$4,291.20
HRVLCH12H	GREENTEK LCH-12H HRV SIDE PORT 1200 CFM	\$5,747.52



HRV ACCESSORIES

FILTER KITS

<u>STOCK #</u>	<u>DESCRIPTION</u>	<u>PRICE</u>
HRVFILTERLCH4	MERV 3 FILTER FOR LCH-4 (2/PK)	\$69.60
HRVFILTERLCH7	MERV 3 FILTER FOR LCH-7 (4/PK)	\$94.80
HRVFILTERLCH12	MERV 3 FILTER FOR LCH-12 (6/PK)	\$120.00

ELECTRONICS

<u>STOCK #</u>	<u>DESCRIPTION</u>	<u>PRICE</u>
HRVPCBHIGHLCH	REPLACEMENT ELECTRONIC HI VOLTAGE PCB KIT FOR LCH	\$315.00
HRVPCBLCH	REPLACEMENT ELECTRONIC PCB KIT FOR LCH-12	\$388.00
HRVPCBLOWLCH	REPLACEMENT LOW VOLTAGE PCB KIT FOR LCH-4,LCH-7	\$340.00

DAMPER KITS

<u>STOCK #</u>	<u>DESCRIPTION</u>	<u>PRICE</u>
HRVGTDMK14	RECIRCULATION DAMPER MODULE KIT FOR LCH-4 & LCH-7	\$916.80
HRVGTDMK20	RECIRCULATION DAMPER MODULE KIT FOR LCH-12	\$960.96

Note: For Residential HRV's see page 8 in the Residential Heating & Cooling section.



RESIDENTIAL HEATING & COOLING INDEX

ITEM	PAGE
Air Conditioning Condensers	4, 6
Air Conditioning Evaporator Coils	4, 5
Furnace & Air Conditioning Accessories	7
Heat Recovery Ventilators	8
HRV Accessories	8
Humidifiers & Accessories	1
Media Air Cleaners	1
97% High Efficiency Gas Furnaces	2
96% High Efficiency Gas Furnaces	2, 3
UV Light	1



PARTS & ACCESSORIES

Alggin carries Goodman heating and air conditioning parts and accessories. Please contact your Alggin representative for pricing and availability. For replacement parts, unit model and serial numbers are required.

Honeywell Home

resideo

FURNACE MOUNTED BYPASS HUMIDIFIERS

<u>STOCK#</u>	<u>HUMIDIFIER MODEL/SIZE</u>	<u>PRICE</u>
HUMHE105C1000	Whole House - 12 GAL. BASIC BYPASS	\$294.16
HUMHE150C1014	TrueEASE - 12 GAL. ADVANCED BYPASS	\$857.65
HUMHE200C1001	TrueEASE - 17 GAL. BASIC BYPASS	\$652.58
HUMHE250C1014	TrueEASE - 17 GAL. ADVANCED BYPASS	\$909.15
HUMIDISTAT	HUMIDISTAT	\$144.38
HUMSOLENOID	AC SOLENOID FOR HE100	\$194.91
HUMSOLENOID105	AC SOLENOID FOR HE105	\$189.39
HUMHC22APAD	REPLACEMENT PAD	\$23.14



FURNACE MEDIA AIR CLEANERS & FILTERS

<u>STOCK#</u>	<u>MODEL/SIZE</u>	<u>PRICE</u>
HFC100A1029	16 X 25 MEDIA AIR FILTER - MERV 11	\$93.18
HFC100A1037	20 X 25 MEDIA AIR FILTER - MERV 11	\$93.18
HF100F1625	16 X 25 MEDIA AIR CLEANER - 4" MERV 11	\$252.78
HF100F2025	20 X 25 MEDIA AIR CLEANER - 4" MERV 11	\$376.87



UV LIGHT

<u>STOCK#</u>	<u>MODEL/SIZE</u>	<u>PRICE</u>
RUV100A1059U	ULTRAVIOLET AIR TREATMENT SYS COIL	\$553.20

HONEYWELL HOME HELP LINE 1-800-468-1502

Prices are F.O.B. our warehouse and subject to change without notice. All taxes extra.



GOODMAN GAS FURNACES

HIGH EFFICIENCY UNITS

<u>STOCK #</u>	<u>BTU</u>	<u>CONFIGURATION</u>	<u>STAGES</u>	<u>SPEED</u>	<u>EFFICIENCY</u>	<u>PRICE</u>
GMVM970603BN	60,000	Upflow/Horizontal	Modulating	Variable	97%	\$ 5,299.00
GMVM970804CN	80,000	Upflow/Horizontal	Modulating	Variable	97%	\$ 6,102.00
GMVM971005CN	100,000	Upflow/Horizontal	Modulating	Variable	97%	\$ 6,625.00
GMVM971205DN	120,000	Upflow/Horizontal	Modulating	Variable	97%	\$ 7,137.00
GCEM970603BN	60,000	Downflow	Modulating	Variable	97%	\$ 6,176.00
GCEM970803BN	80,000	Downflow	Modulating	Variable	97%	\$ 7,050.00
GCEM970804CN	80,000	Downflow	Modulating	Variable	97%	\$ 7,133.00
GCEM971005CN	100,000	Downflow	Modulating	Variable	97%	\$ 7,450.00
GMVC960403BN	40,000	Upflow/Horizontal	2	Variable	96%	\$ 4,225.00
GMVC960603BN	60,000	Upflow/Horizontal	2	Variable	96%	\$ 4,330.00
GMVC960804CN	80,000	Upflow/Horizontal	2	Variable	96%	\$ 5,080.00
GMVC961005CN	100,000	Upflow/Horizontal	2	Variable	96%	\$ 5,737.00
GMVC961205DN	120,000	Upflow/Horizontal	2	Variable	96%	\$ 5,999.00
GCVC960403BN	40,000	Downflow	2	Variable	96%	\$ 5,143.00
GCVC960603BN	60,000	Downflow	2	Variable	96%	\$ 5,319.00
GCVC960804CN	80,000	Downflow	2	Variable	96%	\$ 6,207.00
GCVC961005CN	100,000	Downflow	2	Variable	96%	\$ 6,519.00
GCVC961205DN	120,000	Downflow	2	Variable	96%	\$ 6,781.00
GMEC960303AN	30,000	Upflow/Horizontal	2	Multi	96%	\$ 3,204.00
GMEC960403AN	40,000	Upflow/Horizontal	2	Multi	96%	\$ 3,200.00
GMEC960603BN	60,000	Upflow/Horizontal	2	Multi	96%	\$ 3,404.00
GMEC960803BN	80,000	Upflow/Horizontal	2	Multi	96%	\$ 3,755.00
GMEC961004CN	100,000	Upflow/Horizontal	2	Multi	96%	\$ 4,121.00
GMEC961205DN	120,000	Upflow/Horizontal	2	Multi	96%	\$ 4,340.00



GOODMAN GAS FURNACES

HIGH EFFICIENCY UNITS

<u>STOCK #</u>	<u>BTU</u>	<u>CONFIGURATION</u>	<u>STAGES</u>	<u>SPEED</u>	<u>EFFICIENCY</u>	<u>PRICE</u>
GCES960403BN	40,000	Downflow/Horizontal	1	Multi	96%	\$ 3,845.00
GCES960603BN	60,000	Downflow/Horizontal	1	Multi	96%	\$ 4,102.00
GCES960804CN	80,000	Downflow/Horizontal	1	Multi	96%	\$ 4,723.00
GCES961005CN	100,000	Downflow/Horizontal	1	Multi	96%	\$ 4,995.00
GCES961205DN	120,000	Downflow/Horizontal	1	Multi	96%	\$ 5,322.00
GMES960403AN	40,000	Upflow/Horizontal	1	Multi	96%	\$ 3,264.00
GMES960603BN	60,000	Upflow/Horizontal	1	Multi	96%	\$ 3,338.00
GMES960803BN	80,000	Upflow/Horizontal	1	Multi	96%	\$ 3,704.00
GMES960804CN	80,000	Upflow/Horizontal	1	Multi	96%	\$ 3,809.00
GMES960805CN	80,000	Upflow/Horizontal	1	Multi	96%	\$ 4,016.00
GMES961005CN	100,000	Upflow/Horizontal	1	Multi	96%	\$ 4,173.00
GMES961205DN	120,000	Upflow/Horizontal	1	Multi	96%	\$ 4,276.00





GOODMAN AIR CONDITIONING

AIR CONDITIONER - 13 SEER, R-410A

<u>STOCK #</u>	<u>NOMINAL CAP. (TONS)</u>	<u>PHASE</u>	<u>PRICE</u>
GSX130181X	1.5	1	\$2,337.00
GSX130241X	2	1	\$2,504.00
GSX130301X	2.5	1	\$2,921.00
GSX130361X	3	1	\$3,131.00
GSX130421X	3.5	1	\$3,933.00
GSX130481X	4	1	\$4,067.00
GSX130601X	5	1	\$4,975.00



AIR CONDITIONER - 16 SEER, R-410A

<u>STOCK #</u>	<u>NOMINAL CAP. (TONS)</u>	<u>PHASE</u>	<u>PRICE</u>
GSX160181	1.5	1	\$3,598.00
GSX160241	2	1	\$3,756.00
GSX160301	2.5	1	\$3,881.00
GSX160361	3	1	\$4,591.00
GSX160421	3.5	1	\$5,058.00
GSX160481	4	1	\$5,475.00
GSX160601	5	1	\$6,519.00



HORIZONTAL SLAB EVAPORATOR COILS

<u>STOCK #</u>	<u>DIMENSIONS (W x D x H)</u>	<u>PRICE</u>
GCSCF1824N6A	25 1/2 x 12 x 25	\$1,243.00
GCSCF3036N6A	33 1/2 x 12 x 25	\$1,507.00
GCSCF4860N6A	39 1/2 x 12 x 25	\$2,213.00



GOODMAN AIR CONDITIONING

INDOOR COILS - UP/DOWNFLOW - UNCASED

<u>STOCK #</u>	<u>NOMINAL CAP. (TONS)</u>	<u>DIMENSIONS (W x D x H)</u>	<u>PRICE</u>
GCAUFA1818A6	1.5	12 7/8 x 20 x 14 5/8"	\$777.00
GCAUFA1818B6	1.5	16 3/8 x 20 x 14 1/2"	\$782.00
GCAUFA2422A6	2	12 7/8 x 20 x 18 1/8"	\$788.00
GCAUFA2422B6	2	16 3/8 x 20 x 17 7/8"	\$798.00
GCAUFA3022A6	2.5	12 7/8 x 20 x 18 1/8"	\$970.00
GCAUFA3022B6	2.5	16 3/8 x 20 x 17 7/8"	\$975.00
GCAUFA3022C6	2.5	19 7/8 x 20 x 17 7/8"	\$975.00
GCAUFA4226B6	2.5 - 3.5	16 3/8 x 20 x 24 3/8"	\$1,020.21
GCAUFA4226C6	2.5 - 3.5	19 7/8 x 20 x 24 3/8"	\$1,035.00
GCAUFA4961C6	4 - 5	20 x 28 x 25"	\$1,323.32
GCAUFA4961D6	4 - 5	23 x 27 x 25"	\$1,296.21

AlumaFin7
Evaporator Coil™



INDOOR COILS - UP/DOWNFLOW - CASED (PAINTED)

<u>STOCK #</u>	<u>NOMINAL CAP. (TONS)</u>	<u>FURNACE CABINET SIZE</u>	<u>PRICE</u>
GCAPFA1818A6	1.5	14 x 21x 18"	\$1,075.00
GCAPFA1818B6	1.5	17 1/2 x 21 x 18"	\$1,095.00
GCAPFA2422A6	2	14 x 21 x 22"	\$1,032.00
GCAPFA2422B6	2	17 1/2 x 21 x 22"	\$1,037.00
GCAPFA3022A6	2.5	14 x 21 x 22"	\$1,262.00
GCAPFA3022B6	2.5	17 1/2 x 21 x 22"	\$1,272.00
GCAPFA3022C6	2.5	21 x 21 x 22"	\$1,295.00
GCAPFA4226B6	2.5 - 3.5	17 1/2 x 21 x 26"	\$1,380.00
GCAPFA4226C6	2.5 - 3.5	21 x 21 x 26"	\$1,392.32
GCAPFA4961C6	4 - 5	21 x 21 1/8 x 30"	\$1,648.61
GCAPFA4961D6	4 - 5	24 1/2" x 21 1/8" x 30"	\$1,623.96





GMC AIR CONDITIONING

AIR CONDITIONER - 13 SEER, R-410A

<u>STOCK #</u>	<u>NOMINAL CAP. (TONS)</u>	<u>PHASE</u>	<u>PRICE</u>
GVSX130181	1.5	1	\$1,988.00
GVSX130241	2	1	\$2,020.00
GVSX130301	2.5	1	\$2,100.00
GVSX130361	3	1	\$2,470.00
GVSX130421	3.5	1	\$3,002.00
GVSX130481	4	1	\$3,388.00
GVSX130601	5	1	\$3,887.00





WALL MOUNTING BRACKETS

<u>STOCK #</u>	<u>DESCRIPTION</u>	<u>PRICE</u>
AIRBRACKET30	AIR CONDITIONING BRACKET 30" 1 pair/box	\$126.35
AIRBRACKET36	AIR CONDITIONING BRACKET 36" 1 pair/box	\$142.15
AIRBRACKET42	AIR CONDITIONING BRACKET 42" 1 pair/box	\$157.95

EQUIPMENT PADS

EQUIPAD24242	24 X 24 X 2 E-LITE EQUIPMENT PAD	\$54.68
EQUIPAD32322	32 X 32 X 2 E-LITE EQUIPMENT PAD	\$109.35
EQUIPAD36362	36 X 36 X 2 E-LITE EQUIPMENT PAD	\$127.57

LINE SETS

GLS38343825	3/4" LINE SET 25 ft/roll	\$600.00
GLS38343850	3/4" LINE SET 50 ft/roll	\$1,153.06
GLS38783825	7/8" LINE SET 25 ft/roll	\$785.72
GLS38783850	7/8" LINE SET 50 ft/roll	\$1,469.38

VINYL - CLEAR TUBING

TUBEVINYL12X	PREMIUM CLEAR VINYL TUBING 1/2" ID - 100 ft/roll	\$179.69
TUBEVINYL38X	PREMIUM CLEAR VINYL TUBING 3/8" ID - 100 ft/roll	\$106.18
TUBEVINYL58X	PREMIUM CLEAR VINYL TUBING 5/8" ID - 100 ft/roll	\$228.70

CONDENSATE PUMP

PUMPCOND16	CONDENSATE PUMP - 16 FOOT LIFT	\$182.25
------------	--------------------------------	----------

ELECTRICAL

ULTRWHIP34	ULTRA WHIP 3/4 INCH X 6 FOOT	\$77.90
DISCONNECT60	DISCONNECT SWITCH - 60 AMP - NON FUSE	\$25.31
LOWAMBIENT	LOW AMBIENT CONTROL	\$54.35

PVC SCHEDULE 40 - WHITE

PVC40PIPE34	3/4" X 10 FOOT PVC SCHEDULE 40 PIPE	\$36.75
PVC40T343434	3/4" X 3/4" X 3/4" PVC SCHEDULE 40 TEE	\$3.20
PVC40CPLING34	3/4" PVC SCHEDULE 40 COUPLING	\$2.31
PVC40ELB4534	3/4" X 45 DEGREE PVC SCHEDULE 40 ELBOW	\$5.52
PVC40ELB9034	3/4" X 90 DEGREE PVC SCHEDULE 40 ELBOW	\$2.31
PVC40MADAPT34	3/4" PVC SCHEDULE 40 MALE ADAPTOR	\$2.42
PVC40PLUG34	3/4" PVC SCHEDULE 40 THREADED PLUG	\$6.24

AC COVERS

G0630D	CONDENSER COVER FOR 2 T - 3 T UNIT	\$64.06
G0631G	CONDENSER COVER FOR 3.5 T - 4 T UNIT	\$62.58

TX VALVES

GTX3N4	TX VALVE #3N4	\$220.63
GTX5N4	TX VALVE #5N4	\$220.63

HARD START KIT

GCSRUI	5-2-1 HARD START KIT	\$181.74
--------	----------------------	----------



HEAT RECOVERY VENTILATORS

HRV'S - RESIDENTIAL

<u>STOCK #</u>	<u>DESCRIPTION</u>	<u>PRICE</u>
HRVSOLACE12H	GREENTEK SOLACE 1.2H 120 CFM, TOP PORT	\$1,490.00
HRVCOMPACTC314	GREENTEK COMPACT C 3.14 HRV 30 - 140 CFM	\$1,780.46
HRVRNC10	GREENTEK RNC 1.0 HRV 30 - 140 CFM, TOP PORT	\$1,437.43
HRVPRS20H	GREENTEK PREMIER SERIES PRS 2.0H 191 CFM, SIDE PORT	\$1,745.00
HRVPH1022	GREENTEK PH10.22 ESHRV 50 - 220 CFM	\$2,227.89
HRVRNC20	GREENTEK RNC 2.0 HRV 70 - 220 CFM, SIDE PORT	\$1,537.71
HRVSOLACE25H	GREENTEK SOLACE 2.5H 250 CFM, TOP PORT	\$2,950.00



HRV ACCESSORIES

FILTER KITS

<u>STOCK #</u>	<u>DESCRIPTION</u>	<u>PRICE</u>
HRVFILTERRNC10	RNC REPLACEMENT FILTER 10" x 15 5/8" x 5/8" (2/PK)	\$54.00
HRVFILTERRNC12	RNC REPLACEMENT FILTER 12 3/4" x 9 1/8" x 5/8" (2/PK)	\$51.43

ELECTRONICS

<u>STOCK #</u>	<u>DESCRIPTION</u>	<u>PRICE</u>
HRVPCBC314	REPLACEMENT HIGH LOW VOLTAGE PCB KIT FOR C3.14	\$330.00
HRVPCBRNC	REPLACEMENT HIGH VOLTAGE PCB BOARD KIT FOR RNC	\$265.71

CONTROLS

<u>STOCK #</u>	<u>DESCRIPTION</u>	<u>PRICE</u>
HRVEHC20	EHC 2.0 WALL CONTROL	\$92.50
HRVEHC25	EHC 2.5 WALL CONTROL	\$160.00
HRVRD1	RD-1 DEHUMIDISTAT (2 WIRES)	\$113.14
HRVT3TIMER	T-3 PUSH BUTTON TIMER	\$50.16
HRVT4TIMER	T-4 WIRED TIMER	\$69.00
HRVVECTRAEHC	VECTRA EHC 1.5 DC DIGITAL CONTROL	\$198.36
HRVVECTRAEHC10	VECTRA EHC 1.0 TC ENTRY-LEVEL CONTROL	\$104.88

Note: For Commercial HRV's see page 8 in the Commercial Heating & Cooling section.

Prices are F.O.B. our warehouse and subject to change without notice. All taxes extra.